



# 642-372

## Cisco

### *Cisco Express Foundation for Systems Engineers*

Thousands of IT Professionals before you have already passed their 642-372 certification exams using the Cisco 642-372 Practice Exam from [ipass4sure.com](http://ipass4sure.com). Once you start using our 642-372 exam questions you simply can't stop! You are guaranteed to pass your Cisco 642-372 test with ease and in your first attempt.

Here's what you can expect from the [ipass4sure](http://ipass4sure.com) Cisco 642-372 course:

- \* Up-to-Date Cisco 642-372 questions designed to familiarize you with the real exam.
- \* 100% correct Cisco 642-372 answers you simply can't find in other 642-372 courses.
- \* All of our tests are easy to download. Your file will be saved as a 642-372 PDF.
- \* Cisco 642-372 brain dump free content featuring the real 642-372 test questions.

Cisco 642-372 Certification Exam is of core importance both in your Professional life and Cisco Certification Path. With Cisco Certification you can get a good job easily in the market and get on your path for success. Professionals who passed Cisco 642-372 Certification Exam are an absolute favorite in the industry. If you pass Cisco 642-372 Certification Exam then career opportunities are open for you.

Our 642-372 Questions & Answers provide you an easy solution to your Cisco 642-372 Exam Preparation. Our 642-372 Q&As contains the most updated Cisco 642-372 real tests. You can use our 642-372 Q&As on any PC with most versions of Acrobat Reader and prepare the exam easily.

**QUESTION 1**

Which CiscoWorks component would most help you locate end-station connections at the access switch level quickly?

- A. CiscoView
- B. Campus Manager
- C. Resource Manager Essentials
- D. Device Fault Manager

Answer: B

---

**QUESTION 2**

At which stage of the Cisco Lifecycle Services approach should customer education presentations occur?

- A. Operation
- B. Implementation
- C. Planning
- D. Design
- E. Optimization

Answer: C

---

**QUESTION 3**

Which item is a feature of Cisco Compatible Extensions, Version 3?

- A. Wireless IDS
- B. NAC
- C. Full WPAV2 compliance
- D. Full 802.11e compliance

Answer: C

---

**QUESTION 4**

Which VMS Security Monitor tool allows you to monitor data for patterns of attacks from one machine to a list of targets?

- A. Advanced Correlation Engine
- B. Management Center for CSA
- C. CiscoWorks Dashboard
- D. Advanced Notification Engine

Answer: A

---

**QUESTION 5**

Cisco ASDM provides 16 different graphs that help identify security risks by displaying data about potentially malicious activity. What is one kind of data these graphs show?

- A. Portmap requests
- B. Stateful packet statistics
- C. Real-time analysis of dropped packets
- D. ACL statement matches

Answer: A

---

**QUESTION 6**

Which Cisco Security tool can best determine if a Cisco ISR router is properly secured?

- A. Cisco Security Agent MC
- B. Cisco Security MARS
- C. CAN
- D. Cisco Security Instellishield
- E. Cisco SDM Security Audit

Answer: E

---

**QUESTION 7**

**DRAG DROP**

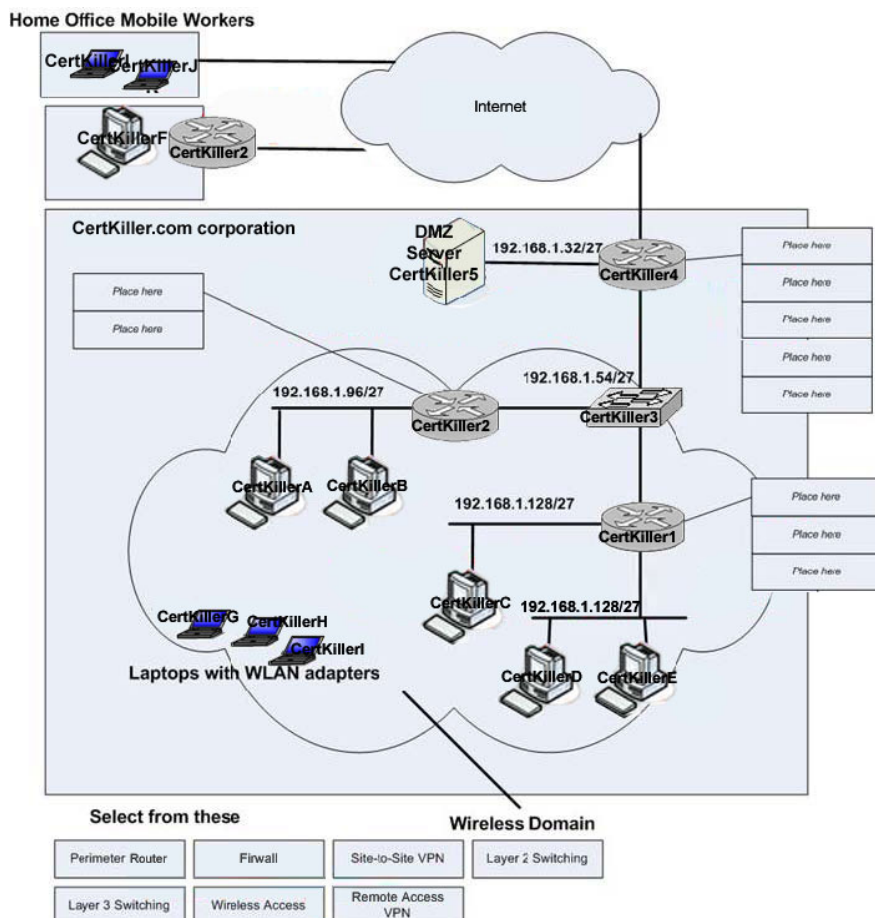
You work as a network technician at Certkiller .com. Study the exhibit carefully.

The Certkiller .com network have the following parts: main corporate Office in London, one remote site in Leipzig, and a few home offices. The London office must provide connectivity to local hardwire users and campus wide roaming wireless users. The London office must also provide connectivity to the Leipzig office and the home offices. The internet is by Certkiller .com to provide this connectivity. Naturally the communications between the sites must be secure. The home offices need on-demand access while the Leipzig office must have 7x24 access.

You are required to implement the network design shown in the diagram based upon ISR routers.

You need to, for each router, identify the function.

Each option can be used more than once.



Answer:

### QUESTION 8

What is the benefit of using the Cisco Easy VPN Server feature along with the Cisco Software VPN client for implementing remote-access VPNs?

- A. The Cisco Easy VPN Server feature allows the Cisco Software VPN Client to receive its security policies from the Central site VPN Device. This minimizes the configuration requirements at the remote location for large remote access VPN deployments
- B. The Cisco Easy VPN Server feature and the Cisco Software VPN Client use hardware-based encryption to reduce the CPU overhead of the Central Site VPN router
- C. The Cisco Easy VPN Server feature and the Cisco Software VPN Client use the same GUI configuration tool to simplify remote-access VPN configurations
- D. The Cisco Easy VPN Server feature and the Cisco Software VPN Client enable scalable remote-access VPNs deployment by using a thick client/thin server model where the central site VPN router can handle thousands of incoming VPN Connections

Answer: A

### QUESTION 9

On what lower-level transport protocol does CiscoWorks LAN Management solution rely

SAMPLE EXAM



### Pass4sure \$89 Lifetime Membership Features;

- Pass4sure \$89 Lifetime Membership includes Over **2100** Exams in One Price.
- **All** Pass4sure **Questions and Answers** are included in \$89 package.
- **All** Pass4sure audio exams are included **free** in \$89 package (See List).
- **All** Pass4sure study guides are included **free** in \$89 package (See List).
- **Lifetime** login access, no hidden fee, no login expiry.
- **Free updates** for Lifetime.
- **Free Download Access** to All new exams added in future.
- Accurate answers with **explanations** (If applicable).
- **Verified answers** researched by industry experts.
- Study Material **updated** on regular basis.
- Questions, Answers and Study Guides are downloadable in **PDF** format.
- Audio Exams are downloadable in **MP3** format.
- **No authorization** code required to open exam.
- **Portable** anywhere.
- 100% success **Guarantee**.
- **Fast**, helpful support **24x7**.



View list of All exams (Q&A) provided in \$89 membership;  
<http://www.ipass4sure.com/allexams.asp>

View list of All Study Guides (SG) provided FREE for members;  
<http://www.ipass4sure.com/study-guides.asp>

View list of All Audio Exams (AE) provided FREE for members;  
<http://www.ipass4sure.com/audio-exams.asp>

Download All Exams Sample QAs.  
<http://www.ipass4sure.com/samples.asp>

To purchase \$89 Lifetime Full Access Membership click here (One time fee)  
<https://www.regnow.com/softsell/nph-softsell.cgi?item=30820-3>

3COM	CompTIA	Filemaker	IBM	LPI	OMG	Sun
ADOBE	ComputerAssociates	Fortinet	IISFA	McAfee	Oracle	Sybase
APC	CWNP	Foundry	Intel	McData	PMI	Symantec
Apple	DELL	Fujitsu	ISACA	Microsoft	Polycom	TeraData
BEA	ECCouncil	GuidanceSoftware	ISC2	Mile2	RedHat	TIA
BICSI	EMC	HDI	ISEB	NetworkAppliance	Sair	Tibco
CheckPoint	Enterasys	Hitachi	ISM	Network-General	SASInstitute	TruSecure
Cisco	ExamExpress	HP	Juniper	Nokia	SCP	Veritas
Citrix	Exin	Huawei	Legato	Nortel	See-Beyond	Vmware
CIW	ExtremeNetworks	Hyperion	Lotus	Novell	SNIA	

and many others.. See complete list Here

