



# 1D0-441

## CIW

### *CIW Database Specialist*

Thousands of IT Professionals before you have already passed their 1D0-441 certification exams using the CIW 1D0-441 Practice Exam from [ipass4sure.com](http://ipass4sure.com). Once you start using our 1D0-441 exam questions you simply can't stop! You are guaranteed to pass your CIW 1D0-441 test with ease and in your first attempt.

Here's what you can expect from the [ipass4sure](http://ipass4sure.com) CIW 1D0-441 course:

- \* Up-to-Date CIW 1D0-441 questions designed to familiarize you with the real exam.
- \* 100% correct CIW 1D0-441 answers you simply can't find in other 1D0-441 courses.
- \* All of our tests are easy to download. Your file will be saved as a 1D0-441 PDF.
- \* CIW 1D0-441 brain dump free content featuring the real 1D0-441 test questions.

CIW 1D0-441 Certification Exam is of core importance both in your Professional life and CIW Certification Path. With CIW Certification you can get a good job easily in the market and get on your path for success. Professionals who passed CIW 1D0-441 Certification Exam are an absolute favorite in the industry. If you pass CIW 1D0-441 Certification Exam then career opportunities are open for you.

Our 1D0-441 Questions & Answers provide you an easy solution to your CIW 1D0-441 Exam Preparation. Our 1D0-441 Q&As contains the most updated CIW 1D0-441 real tests. You can use our 1D0-441 Q&As on any PC with most versions of Acrobat Reader and prepare the exam easily.

**Question: 1**

A foreign key maps to a:

- A. Prime key.
- B. Indirect key.
- C. Parent key.
- D. Composite key.

**Answer: C**

**Question: 2**

Consider the relation shown in the exhibit. Which of the following SQL statements would properly add information for a new employee?

Emp_ID	First_Name	Last_Name	Birth_Date
0001	Helen	Lee	12-05-75
0002	James	Smith	10-25-76
0003	Eliza	Perez	02-15-80
0004	Samuel	Hayes	11-07-71

**Employee Relation**

- A. INSERT INTO Employee  
VALUES(0005, Tim, Bogart, 03-15-77);
- B. INSERT INTO Employee(Emp\_ID, First\_Name, Last\_Name, Birth\_Date)  
VALUES(0004, Tim, Bogart, 03-15-77);
- C. INSERT INTO Employee(Emp\_ID, First\_Name, Last\_Name, Birth\_Date)  
VALUES(0005, Tim, Bogart, 03-05-77);
- D. INSERT INTO Employee (Emp\_ID, First\_Name, Last\_Name, Birth\_Date)  
VALUES (0005, Tim, Bogart, 03-05-77);

**Answer: D**

**Question: 3**

Which pair of relational algebraic operations requires union compatibility?

- A. Union and join
- B. Selection and projection
- C. Intersection and difference
- D. Cartesian product and intersection

**Answer: C**

**Question: 4**

Which static member of the ResultSet class should be used to create an updatable result set?

- A. ResultSet.TYPE\_FORWARD\_ONLY
- B. ResultSet.TYPE\_FORWARD\_UPDATABLE

C. ResultSet.TYPE\_SCROLL\_INSENSITIVE  
D. ResultSet.TYPE\_SCROLL\_SENSITIVE

**Answer: D**

**Question: 5**

Which method of the Statement interface could be used to delete data from a database?

- A. executeUpdate
- B. executeQuery
- C. close
- D. clearBatch

**Answer: A**

**Question: 6**

Which JDBC interface is used to extract information about the database schema?

- A. ResultSet
- B. Connection
- C. DatabaseMetaData
- D. ResultSetMetaData

**Answer: C**

**Question: 7**

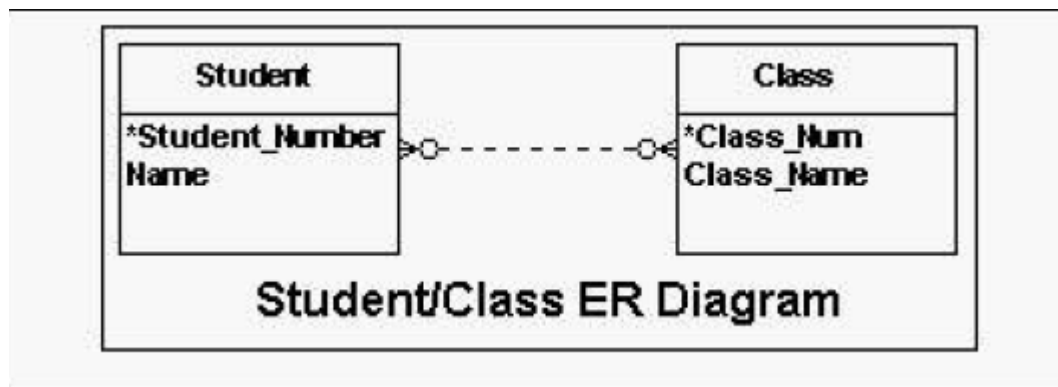
Which of the following statements is true of the Connection interface?

- A. Each JDBC client application must provide a class that implements the Connection interface.
- B. Each JDBC driver provides a class that implements the Connection interface.
- C. Each JVM provides a class that implements the Connection interface.
- D. The Connection interface can be used to load a JDBC driver.

**Answer: B**

**Question: 8**

Consider the Entity-Relation diagram shown in the exhibit. When the logical database design phase is completed, which of the following is a valid DBDL description of the base relations for the Entity-Relation diagram?



A. STUDENT(

Student\_Number: integer NOT NULL  
 Name: variable length character string length 20 NOT NULL)  
 Primary Key Student\_Number  
 CLASS(  
 Class\_Num: integer NOT NULL  
 Class\_Name: integer NOT NULL)  
 Primary Key Class\_Num  
 B. STUDENT(  
 Student\_Number: integer NOT NULL  
 Name: variable length character string length 20 NOT NULL)  
 Primary Key Student\_Number  
 CLASS(  
 Class\_Num: integer NOT NULL  
 Class\_Name: integer NOT NULL)  
 Primary Key Class\_Num  
 Foreign Key Class\_Num References STUDENT  
 C. STUDENT(  
 Student\_Number: integer NOT NULL  
 Name: variable length character string length 20 NOT NULL)  
 Primary Key Student\_Number  
 STU\_CLASS(  
 Student\_Number: integer NOT NULL  
 Class\_Num: integer NOT NULL)  
 Primary Key Student\_Number  
 CLASS(  
 Class\_Num: integer NOT NULL  
 Class\_Name: integer NOT NULL)  
 Primary Key Class\_Num  
 D. STUDENT(  
 Student\_Number: integer NOT NULL  
 Name: variable length character string length 20 NOT NULL)  
 Primary Key Student\_Number  
 STU\_CLASS(  
 Student\_Number: integer NOT NULL  
 Class\_Num: integer NOT NULL)  
 Primary Key Student\_Number, Class\_Num  
 CLASS(  
 Class\_Num: integer NOT NULL  
 Class\_Name: integer NOT NULL)  
 Primary Key Class\_Num

**Answer: D**

**Question: 9**

What is the highest normal form of the relation(s) shown in the exhibit?

SAMPLE EXAM



### Pass4sure \$89 Lifetime Membership Features;

- Pass4sure \$89 Lifetime Membership includes Over **2100** Exams in One Price.
- **All** Pass4sure **Questions and Answers** are included in \$89 package.
- **All** Pass4sure audio exams are included **free** in \$89 package (See List).
- **All** Pass4sure study guides are included **free** in \$89 package (See List).
- **Lifetime** login access, no hidden fee, no login expiry.
- **Free updates** for Lifetime.
- **Free Download Access** to All new exams added in future.
- Accurate answers with **explanations** (If applicable).
- **Verified answers** researched by industry experts.
- Study Material **updated** on regular basis.
- Questions, Answers and Study Guides are downloadable in **PDF** format.
- Audio Exams are downloadable in **MP3** format.
- **No authorization** code required to open exam.
- **Portable** anywhere.
- 100% success **Guarantee**.
- **Fast**, helpful support **24x7**.



View list of All exams (Q&A) provided in \$89 membership;  
<http://www.ipass4sure.com/allexams.asp>

View list of All Study Guides (SG) provided FREE for members;  
<http://www.ipass4sure.com/study-guides.asp>

View list of All Audio Exams (AE) provided FREE for members;  
<http://www.ipass4sure.com/audio-exams.asp>

Download All Exams Sample QAs.  
<http://www.ipass4sure.com/samples.asp>

To purchase \$89 Lifetime Full Access Membership click here (One time fee)  
<https://www.regnow.com/softsell/nph-softsell.cgi?item=30820-3>

3COM	CompTIA	Filemaker	IBM	LPI	OMG	Sun
ADOBE	ComputerAssociates	Fortinet	IISFA	McAfee	Oracle	Sybase
APC	CWNP	Foundry	Intel	McData	PMI	Symantec
Apple	DELL	Fujitsu	ISACA	Microsoft	Polycom	TeraData
BEA	ECCouncil	GuidanceSoftware	ISC2	Mile2	RedHat	TIA
BICSI	EMC	HDI	ISEB	NetworkAppliance	Sair	Tibco
CheckPoint	Enterasys	Hitachi	ISM	Network-General	SASInstitute	TruSecure
Cisco	ExamExpress	HP	Juniper	Nokia	SCP	Veritas
Citrix	Exin	Huawei	Legato	Nortel	See-Beyond	Vmware
CIW	ExtremeNetworks	Hyperion	Lotus	Novell	SNIA	

and many others.. See complete list Here

