



<http://www.ipass4sure.com>

# 050-886

## Novell

*Foundation of Novell Networking: NetWare 6.5*

<http://www.ipass4sure.com/exams.asp?examcode=050-886>

The 050-886 practice exam is written and formatted by Certified Senior IT Professionals working in today's prospering companies and data centers all over the world! The 050-886 Practice Test covers all the exam topics and objectives and will prepare you for success quickly and efficiently. The 050-886 exam is very challenging, but with our 050-886 questions and answers practice exam, you can feel confident in obtaining your success on the 050-886 exam on your FIRST TRY!

### Novell 050-886 Exam Features

- Detailed questions and answers for 050-886 exam
- Try a demo before buying any Novell exam
- 050-886 questions and answers, updated regularly
- Verified 050-886 answers by Experts and bear almost 100% accuracy
- 050-886 tested and verified before publishing
- 050-886 exam questions with exhibits
- 050-886 same questions as real exam with multiple choice options

Acquiring Novell certifications are becoming a huge task in the field of I.T. More over these exams like 050-886 exam are now continuously updating and accepting this challenge is itself a task. This 050-886 test is an important part of Novell certifications. We have the resources to prepare you for this. The 050-886 exam is essential and core part of Novell certifications and once you clear the exam you will be able to solve the real life problems yourself. Want to take advantage of the Real 050-886 Test and save time and money while developing your skills to pass your Novell 050-886 Exam? Let us help you climb that ladder of success and pass your 050-886 now!

**Question: 1**

Which describes the role of the Novell Distributed Print Services (NDPS) printer agent?

- A - It downloads the correct print driver to the workstation.
- B - It responds to queries from clients about the status of a print job.
- C - It provides a platform for printer objects that reside on the server.
- D - It allows NDPS clients to send print jobs to printers that are not NDPS-aware.
- E - It redirects print jobs to directory on the server while waiting for the printer to become available.
- F - It takes application-specific data from the application creating the print job and reformats it to work with the printer it is being sent to.

**Answer: B**

**Question: 2**

You're implementing a NetWare 6.5 network for a small business client Jessica's Bakery. There is only one server in the network. You've named the server BAKERY1 and installed it into an eDirectory tree named JESSICASBAKERY-TREE. You've used a random password generator to create a password for the tree's Admin user. To ease administration, you've located the server next to the Point of Sale system in the customer area of the bakery. You deployed Universal Password on the server. All workstations have Novell Client 4.9 installed on them. You created a NFAP share on the server for the SHARED and the FINANCE directories on the server's DATA volume. Does this configuration meet Novell's security recommendations?

- A - Yes, all Novell security guidelines have been met.
- B - No, the server should be placed in a locked closet or room.
- C - No, you shouldn't use Universal Password with Novell Client version 4.9.
- D - No, you shouldn't use the business name in the server or eDirectory tree names.
- E - No, you shouldn't create NFAP shares for directories containing financial information.
- F - No, you shouldn't use a random password generator for the Admin password. It's easy to hack.

**Answer: B**

**Question: 3**

Which web-based services does Virtual Office provide? (Choose 3.)

- A - Chat
- B - Calendar
- C - Bookmarks
- D - Spreadsheet
- E - Word processor
- F - Project management charts

**Answer: A, B, C**

**Question: 4**

During the installation of NetWare 6.5, the server files are installed on the \_\_\_\_\_ volume.

**Answer: SYS**

**Question: 5**

You've just finished configuring an iPrint system on your NetWare 6.5 server. The server's DNS name is iprint.widget.com. The Manager object is named IPP-Printer in the SLC.WIDGET container. The Broker object is named IPP-Broker and is also in SLC.WIDGET. You've used the

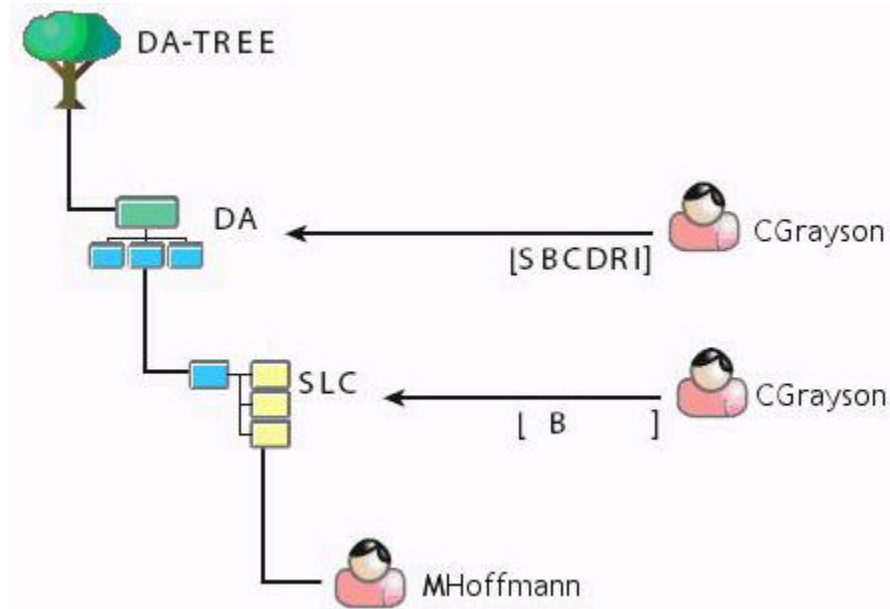
Maptool.htm file to configure a map named slcoffice.htm for location-based printing. What URL should you enter in your browser's Address field to test the iPrint map?

- A - http://iprint.widget.com/slcoffice.htm
- B - http://iprint.widget.com/lpp/slcoffice.htm
- C - http://iprint.widget.com/lppdocs/Maptool.htm
- D - http://iprint.widget.com/iPrint/slcoffice.htm
- E - http://iprint.widget.com/lppdocs/slcoffice.htm
- F - http://iprint.widget.com/lpp/slcoffice.htm -b=IPP-Broker.SLC.WIDGET
- G - http://iprint.widget.com/lppdocs/slcoffice.htm -m=IPP-Printer.SLC.WIDGET

**Answer: E**

**Question: 6**

Exhibit:



Given the explicit right assignments shown, what rights does CGrayson have to the MHoffmann user object?

- A - Supervisor
- B - Browse
- C - Browse, Create
- D - Browse, Create, Delete
- E - Browse, Create, Delete, Rename, Inheritable
- F - Supervisor, Browse, Create, Delete, Rename
- G - Supervisor, Browse, Create, Delete, Rename, Inheritable
- H - CGrayson has no rights to the MHoffmann user object.

**Answer: B**

**Question: 7**

Your company specializes in the production of digital video products. Your company has been recently awarded a very large contract that has a very short deadline. Your NetWare 6.5 server currently uses a single 80 GB IDE hard disk drive. The new contract will require considerably

more hard disk storage. You've purchased and installed a 400 GB RAID5 disk array designed specifically for non-linear video editing. The array came with a diskette containing NetWare drivers. Which file on your server should you edit to load these drivers?

- A - RAID.NCF
- B - SERVER.EXE
- C - CONFIG.SYS
- D - STARTUP.NCF
- E - STARTUP.CFG
- F - STORAGE.NCF
- G - AUTOEXEC.BAT
- H - RAID5 array drivers can only be loaded manually from the server console.

**Answer: D**

**Question: 8**

Which utilities can you use to manage directory and file attributes on a NetWare 6.5 server? (Choose 2.)

- A - ICE
- B - FLAG
- C - iManager
- D - iMonitor
- E - NDS Manager
- F - Remote Manager

**Answer: B, F**

**Question: 9**

Your company's business procedures require the use of triplicate forms. To accommodate this, you have secured an older dot-matrix printer to deploy in your network. It doesn't have a network interface. It will be connected directly to one of your server's LPT ports using an IEEE 1284 parallel cable. You use Novell Distributed Print Services (NDPS) to provide print services to your users. This printer doesn't have an embedded printer agent. Can you use it with NDPS?

- A - Yes, all prerequisite requirements have been met.
- B - No, the NDPS manager doesn't support older dot-matrix printers.
- C - No, the NDPS broker is incompatible with the IEEE 1284 standard.
- D - No, NDPS doesn't support printers that don't have an embedded printer agent.
- E - No, a printer agent can't be created for printers that connect to the server with a parallel cable.

**Answer: A**

**Question: 10**

Which utility can be used to create NSS volumes in NetWare 6.5? (Choose 2.)

- A - NSSMU
- B - iMonitor
- C - NWCONFIG
- D - ConsoleOne
- E - NDS Manager
- F - NetWare Administrator

**Answer: A, D**

**Question: 11**

You're designing the eDirectory tree for your company. Your company is composed of four distinct subsidiary organizations. You decide to create four Organization objects at the root of your tree to represent each. Each subsidiary has its own Vice President who is in charge of the organization. You decide to create a user object for each Vice President in their respective Organization object. Will this design work?

- A - Yes, all eDirectory rules have been observed.
- B - No, user objects can't reside in an Organization object.
- C - No, Organization objects can only reside within Country objects.
- D - No, there can only be one Organization object within a given tree.
- E - No, Organization objects should not be used to represent subsidiaries. Organizational Unit objects should be used instead.

**Answer: A**

**Question: 12**

Which of the following are system files used by DR-DOS? (Choose 3.)

- A - NTLDR
- B - IO.SYS
- C - MSDOS.SYS
- D - IBMBIO.COM
- E - IBMDOS.COM
- F - COMMAND.COM
- G - NTDETECT.COM
- H - PAGEFILE.SYS

**Answer: D, E, F**

**Question: 13**

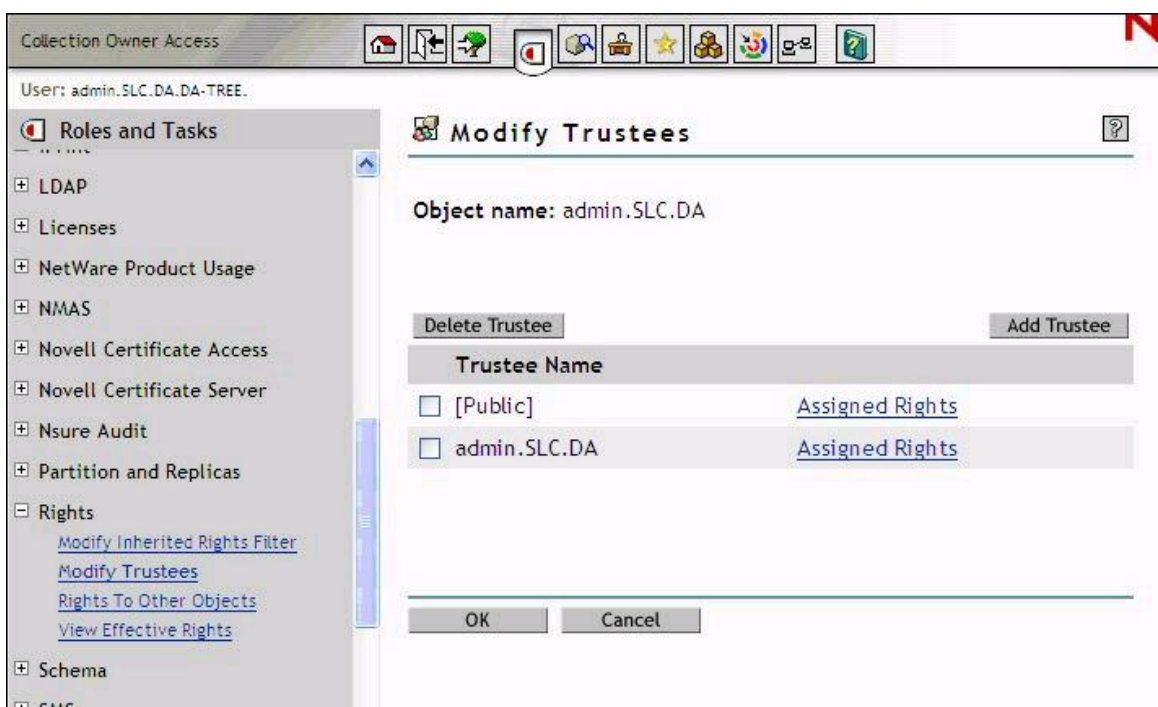
Which file system attribute indicates that the file has been modified at some point since the last backup operation?

- A - A
- B - H
- C - P
- D - Ci
- E - Dc
- F - Di
- G - Dm
- H - Ds
- I - Ic
- J - Ro
- K - Sh

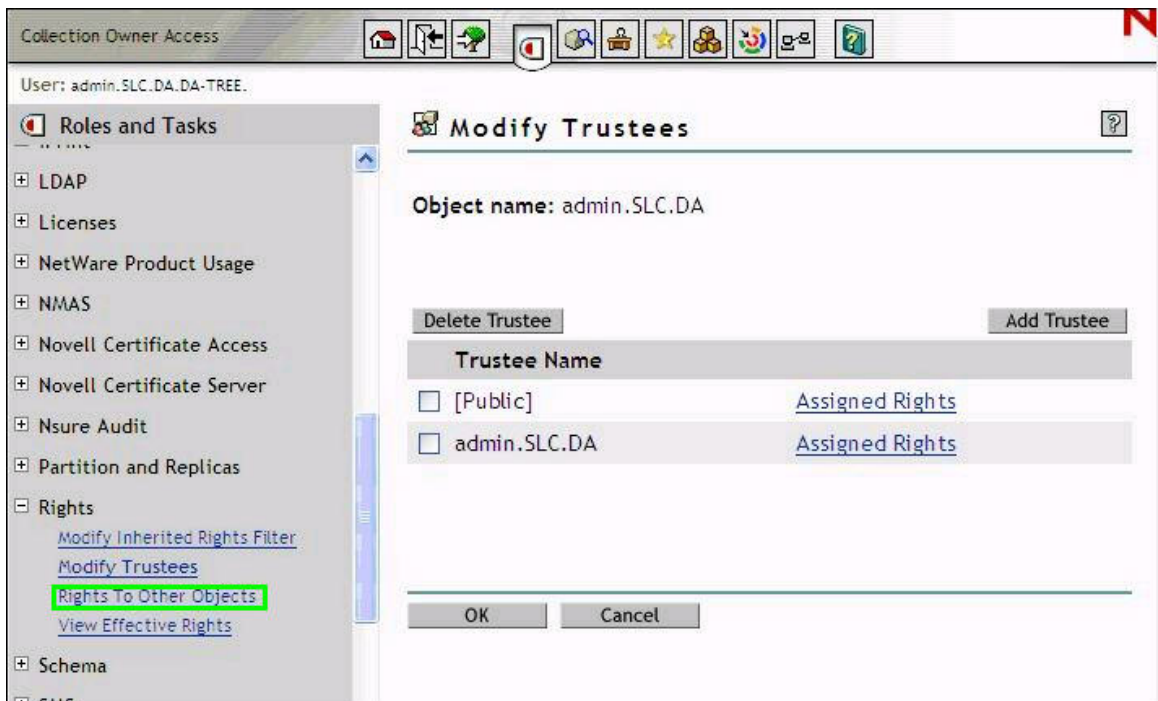
**Answer: A**

**Question: 14**

Click the option in iManager you would use to see every object that the Admin.SLC.DA user object is an explicit trustee of.



**Answer:**



**Question: 15**

Which tasks can be performed with ConsoleOne? (Choose 2.)

- A - Manage licensing.
- B - Assign rights to objects.





## Pass4sure Certification Exam Features;

- Pass4sure offers over **2500** Certification exams for professionals.
- More than **98,800** Satisfied Customers Worldwide.
- Average **99.8%** Success Rate.
- Over **120** Global Certification Vendors Covered.
- Services of **Professional & Certified Experts** available via support.
- Free **90 days** updates to match real exam scenarios.
- **Instant Download Access!** No Setup required.
- Price as low as **\$19**, which is 80% more **cost effective** than others.
- **Verified answers** researched by industry experts.
- Study Material **updated** on regular basis.
- Questions / Answers are downloadable in **PDF** format.
- Mobile Device Supported (**Android, iPhone, iPod, iPad**)
- **No authorization** code required to open exam.
- **Portable** anywhere.
- **Guaranteed Success.**
- **Fast**, helpful support **24x7**.



View list of All certification exams offered;  
<http://www.ipass4sure.com/all exams.asp>

View list of All Study Guides (SG);  
<http://www.ipass4sure.com/study-guides.asp>

View list of All Audio Exams (AE);  
<http://www.ipass4sure.com/audio-exams.asp>

Download Any Certification Exam DEMO.  
<http://www.ipass4sure.com/samples.asp>

To purchase Full version of exam click below;  
<http://www.ipass4sure.com/all exams.asp>

3COM	CompTIA	Filemaker	IBM	LPI	OMG	Sun
ADOBE	ComputerAssociates	Fortinet	IISFA	McAfee	Oracle	Sybase
APC	CWNP	Foundry	Intel	McData	PMI	Symantec
Apple	DELL	Fujitsu	ISACA	Microsoft	Polycom	TeraData
BEA	ECCouncil	GuidanceSoftware	ISC2	Mile2	RedHat	TIA
BICSI	EMC	HDI	ISEB	NetworkAppliance	Sair	Tibco
CheckPoint	Enterasys	Hitachi	ISM	Network-General	SASInstitute	TruSecure
Cisco	ExamExpress	HP	Juniper	Nokia	SCP	Veritas
Citrix	Exin	Huawei	Legato	Nortel	See-Beyond	Vmware
CIW	ExtremeNetworks	Hyperion	Lotus	Novell	Google	

and many others.. See complete list [Here](#)

