

Examcollection

<http://www.ipass4sure.com/examcollection.htm>

OMG-OCUP-200

OMG

OMG-Certified UML Professional Intermediate

<http://www.ipass4sure.com/exams.asp?examcode=OMG-OCUP-200>

The OMG-OCUP-200 practice exam is written and formatted by Certified Senior IT Professionals working in today's prospering companies and data centers all over the world! The OMG-OCUP-200 Practice Test covers all the exam topics and objectives and will prepare you for success quickly and efficiently. The OMG-OCUP-200 exam is very challenging, but with our OMG-OCUP-200 questions and answers practice you can feel confident in obtaining your success on the OMG-OCUP-200 exam on your FIRST TRY!

OMG OMG-OCUP-200 Exam Features

- Detailed questions and answers for OMG-OCUP-200 exam
- Try a demo before buying any OMG exam
- OMG-OCUP-200 questions and answers, updated regularly
- Verified OMG-OCUP-200 answers by Experts and bear almost 100% accuracy
- OMG-OCUP-200 tested and verified before publishing
- OMG-OCUP-200 examcollection vce questions with exhibits
- OMG-OCUP-200 same questions as real exam with multiple choice options

Acquiring OMG certifications are becoming a huge task in the field of I.T. More over these exams like OMG-OCUP-200 exam are now continuously updating and accepting this challenge is itself a task. This OMG-OCUP-200 test is an important part of OMG certifications. We have the resources to prepare you for this. The OMG-OCUP-200 exam is essential and core part of OMG certifications and once you clear the exam you will be able to solve the real life problems yourself. Want to take advantage of the Real OMG-OCUP-200 Test and save time and money while developing your skills to pass your OMG OMG-OCUP-200 Exam? Let us help you climb that ladder of success and pass your OMG-OCUP-

DEMO EXAM

For Full Version visit

<http://www.ipass4sure.com/allexams.asp>

QUESTION: 1

To what does an internal structure of a class refer?

- A. the inheritance structure of that class
- B. the set of nested classifiers of that class
- C. the set of structural features of that class
- D. class and associations owned by that class
- E. the decomposition of that class in terms of interconnected parts

Answer: E

QUESTION: 2

What statements are true about a composite structure? (Choose two)

- A. Collaborations are structured classifiers.
- B. A structured classifier is also an encapsulated classifier.
- C. Structured classifiers cannot contain instances of structured classifiers.
- D. Destroying an instance of a structured classifier normally destroys instances of its parts.
- E. The behavior of a structured classifier must be completely defined through the collaboration of owned or referenced instances.

Answer: A, D

QUESTION: 3

An encapsulated classifier is characterized by which fact?

- A. has an encapsulation shell
- B. can own one or more ports
- C. hides information from other classifiers
- D. acts as a package and can own one or more classifiers

Answer: B

QUESTION: 4

What interface restrictions does a port have?

- A. multiple required interfaces or multiple provided interfaces
- B. multiple provided interfaces and multiple required interfaces
- C. equal numbers of provided interfaces and required interfaces
- D. exactly one provided interface or exactly one required interface

E. exactly one required interface and exactly one provided interface

Answer: B

QUESTION: 5

What is an invocation action on a port used for?

- A. sending a message to that port
- B. receiving a message on that port
- C. creating a link and attach it to that port
- D. relaying the invocation via links connected to that port
- E. invoking the behavior of the classifier that owns the port

Answer: D

QUESTION: 6

What is NOT a purpose of a port owned by a classifier?

- A. serves as an end point for connectors
- B. specifies an association to the classifier
- C. hides the internals of that classifier from other classifiers
- D. provides a distinct point of interaction between the classifier and its environment

Answer: B

QUESTION: 7

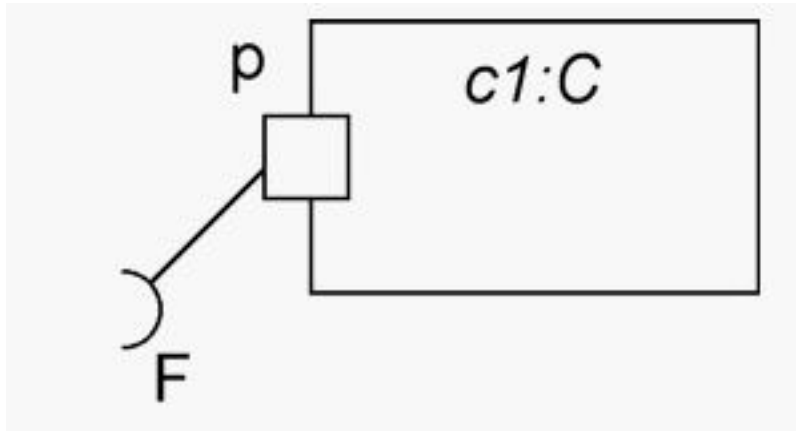
Which is true of a provided interface associated with a port?

- A. represents an interface that must be defined within the classifier that owns the port
- B. identifies the services that the object owning the port expects of objects connected via that port
- C. identifies the services that the object owning the port can offer to other objects connected via that port
- D. represents an interface that must be defined in the same package in which the classifier owning the port is defined

Answer: C

QUESTION: 8

What does the composite structure notation in the exhibit mean?



- A. Class C has internal structure.
- B. Object c1 is a kind of component.
- C. Port p is connected to an object called F
- D. Port p realizes the features defined by interface F
- E. Port p requires the features defined by interface F

Answer: E

QUESTION: 9

Which list contains only connectable elements?

- A. port and connector end
- B. behavior, port and property
- C. connector end, port and part
- D. property, port, and parameter
- E. behavior, connector end, and port

Answer: D

QUESTION: 10

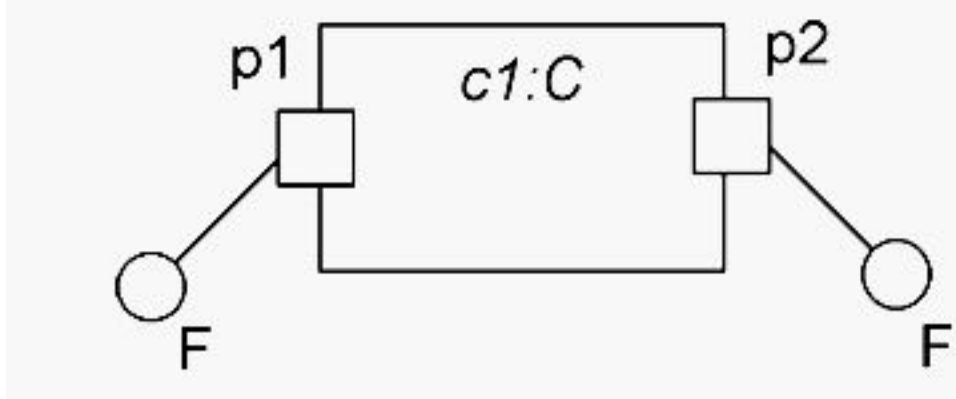
What is NOT true about a roles and role bindings?

- A. A role binding is an association.
- B. The same object may play roles in multiple collaborations.
- C. A role binding maps a connectable element to a role in a collaboration occurrence.
- D. The same connectable element may be bound to multiple roles in a single collaboration occurrence.
- E. A role typed by an interface specifies a set of features required by a participant in a collaboration.

Answer: A

QUESTION: 11

What does the composite structure exhibit show?



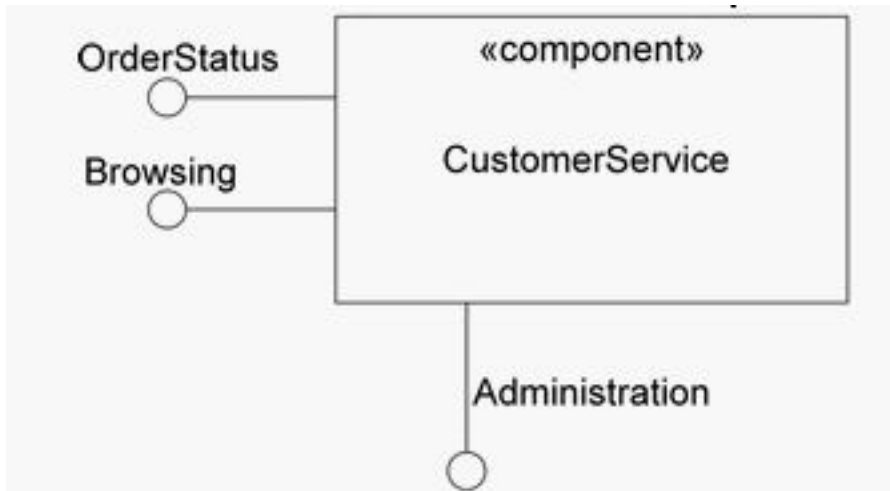
- A. The diagram is not valid.
- B. The two F interfaces must come from different packages.
- C. Requests for behavioral features of interface F through ports p1 and p2 can be distinguished.
- D. Requests for behavioral features of interface F through ports p1 and p2 will always result in the same behavior.

Answer: C

QUESTION: 12

Refer to the exhibit.

What is the significance of the fact that the Administration interface symbol extends downward rather than leftward?



- A. There is no significance.
- B. The interface cannot be provided via a port.
- C. The interface does not require a delegation connector.
- D. The interface is not publicly visible on the component.
- E. The interface is the primary interface for the component.
- F. The interface is the primary provided interface for the component.



Pass4sure Certification Exam Features;

- Pass4sure offers over **2500** Certification exams for professionals.
- More than **98,800** Satisfied Customers Worldwide.
- Average **99.8%** Success Rate.
- Over **120** Global Certification Vendors Covered.
- Services of **Professional & Certified Experts** available via support.
- Free **90 days** updates to match real exam scenarios.
- **Instant Download Access!** No Setup required.
- Price as low as **\$19**, which is 80% more **cost effective** than others.
- **Verified answers** researched by industry experts.
- Study Material **updated** on regular basis.
- Questions / Answers are downloadable in **PDF** format.
- Mobile Device Supported (**Android, iPhone, iPod, iPad**)
- **No authorization** code required to open exam.
- **Portable** anywhere.
- **Guaranteed Success.**
- **Fast**, helpful support **24x7**.



View list of All certification exams offered;
<http://www.ipass4sure.com/all exams.asp>

View list of All Study Guides (SG);
<http://www.ipass4sure.com/study-guides.asp>

View list of All Audio Exams (AE);
<http://www.ipass4sure.com/audio-exams.asp>

Download Any Certification Exam DEMO.
<http://www.ipass4sure.com/samples.asp>

To purchase Full version of exam click below;
<http://www.ipass4sure.com/all exams.asp>

3COM	CompTIA	Filemaker	IBM	LPI	OMG	Sun
ADOBE	ComputerAssociates	Fortinet	IISFA	McAfee	Oracle	Sybase
APC	CWNP	Foundry	Intel	McData	PMI	Symantec
Apple	DELL	Fujitsu	ISACA	Microsoft	Polycom	TeraData
BEA	ECCouncil	GuidanceSoftware	ISC2	Mile2	RedHat	TIA
BICSI	EMC	HDI	ISEB	NetworkAppliance	Sair	Tibco
CheckPoint	Enterasys	Hitachi	ISM	Network-General	SASInstitute	TruSecure
Cisco	ExamExpress	HP	Juniper	Nokia	SCP	Veritas
Citrix	Exin	Huawei	Legato	Nortel	See-Beyond	Vmware
CIW	ExtremeNetworks	Hyperion	Lotus	Novell	Google	

and many others.. See complete list [Here](#)

