

Examcollection

<http://www.ipass4sure.com/examcollection.htm>



<http://www.ipass4sure.com>

NS0-310

NetworkAppliance

*Network Appliance Solution Architect-Backup and Restore
(New)*

<http://www.ipass4sure.com/exams.asp?examcode=NS0-310>

The NS0-310 practice exam is written and formatted by Certified Senior IT Professionals working in today's prospering companies and data centers all over the world! The NS0-310 Practice Test covers all the exam topics and objectives and will prepare you for success quickly and efficiently. The NS0-310 exam is very challenging, but with our NS0-310 questions and answers practice exam, you can feel confident in obtaining your success on the NS0-310 exam on your FIRST TRY!

NetworkAppliance NS0-310 Exam Features

- Detailed questions and answers for NS0-310 exam
- Try a demo before buying any NetworkAppliance exam
- NS0-310 questions and answers, updated regularly
- Verified NS0-310 answers by Experts and bear almost 100% accuracy
- NS0-310 tested and verified before publishing
- NS0-310 examcollection vce questions with exhibits
- NS0-310 same questions as real exam with multiple choice options

Acquiring NetworkAppliance certifications are becoming a huge task in the field of I.T. More over these exams like NS0-310 exam are now continuously updating and accepting this challenge is itself a task. This NS0-310 test is an important part of NetworkAppliance certifications. We have the resources to prepare you for this. The NS0-310 exam is essential and core part of NetworkAppliance certifications and once you clear the exam you will be able to solve the real life problems yourself. Want to take advantage of the Real NS0-310 Test and save time and money while developing your skills to pass your NetworkAppliance NS0-310 Exam? Let us help you climb that ladder of success and pass your NS0-310

DEMO EXAM

For Full Version visit

<http://www.ipass4sure.com/allexams.asp>

Question: 1

In which of the two following instances does VTL helps in performance versus tape?

- A - Streaming multiple streams
- B - Slow Data Networks
- C - Millions of small files
- D - Small number of large files

Answer: A, B

Question: 2

Which one of the following OSSV clients are integrated with SnapManager for Exchange?

- A - SyncSort Backup Express
- B - CommVault QiNetix
- C - BakboneNetVault
- D - None of the above

Answer: D

Question: 3

Which one of the following is NOT controlled by SnapManager for Exchange?

- A - SnapMirror
- B - Snapshots
- C - SnapRestore
- D - VSS Snapshots for NetApp OSSV

Answer: D

Question: 4

Customer wants to backup non-NetApp storage using NetBackup. They want easy online access to long history of backups. Which one of the disk-based NetApp solution should be proposed?

- A - VTL
- B - SnapVault for NetBackup
- C - NDMP
- D - OSSV

Answer: B

Question: 5

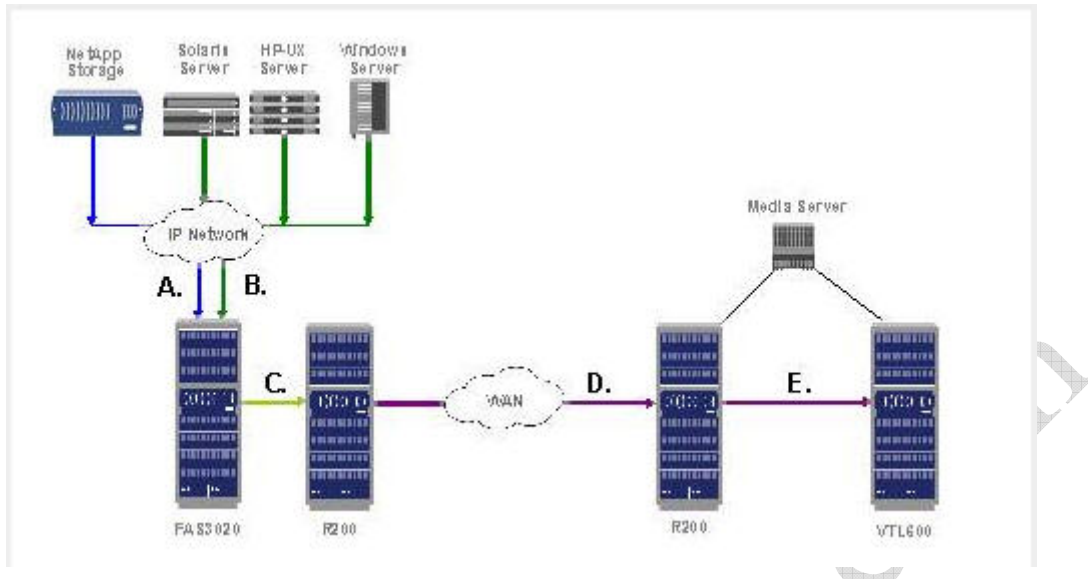
A destination volume for backups and data retention is known as a _____ ?

- A - Vault
- B - Secondary Volume
- C - Mirror plex
- D - Cluster

Answer: B

Question: 6

Looking at the diagram below:



Which one of the following is the supported configuration?

- A - (A) SnapVault, (B) OSSV. (C) SnapVault, (D) Async SnapMirror, (E) NDMP
- B - (A) SnapVault, (B) SnapVault. (C) SnapMirror, (D) SnapMirror, (E) NDMP
- C - (A) NDMP, (B) SnapVault. (C) SnapMirror, (D) SnapMirror, (E) NDMP
- D - (A) SnapVault, (B) OSSV. (C) SnapMirror, (D) SnapMirror, (E) NDMP

Answer: D

Question: 7

A customer wants to deploy DFM into an existing SnapVault environment to manage the SnapVault backup schedules. What will occur?

- A - DFM will Auto discover all existing SnapVault schedules
- B - The command line schedules will be automatically ignored
- C - Newly created DEM schedules will take precedence over command line schedules
- D - Both schedulers will continue to run independently

Answer: D

Question: 8

What OSSV command could you use to measure the network throughput on an OSSV primary?

- A - snapvault status
- B - ossv status
- C - snapvault perf
- D - ossv perf

Answer: A

Question: 9

Which backup mechanism is most closely tied to snapshots?

- A - VolCopy
- B - SnapLock
- C - SnapVault
- D - NDMP

Answer: C

Question: 10

What are the two key components of SnapVault for NetBackup?

- A - NearStore option license
- B - FAS 980
- C - NetBackup Enterprise 6.0 MP3 or later
- D - NetBackup 5.0 or later

Answer: A, C

Question: 11

Which methodology CANNOT be used to allow for a single file restore from tape to a NetApp FAS system?

- A - SnapMirror to tape
- B - NetBackup with NDMP
- C - NetBackup without NDMP
- D - The dump command

Answer: A

Question: 12

Where is SnapVault snapshot scheduling controlled?

- A - Primary
- B - Secondary
- C - Primary and Secondary
- D - FileView

Answer: C

Question: 13

What is the maximum number of simultaneous SV/OSSV streams allowed to/from the FAS270?

- A - 4
- B - 8
- C - 16
- D - 128

Answer: B

Question: 14

Which three of the following tools can be used to manage OSSV?

- A - Legato NetWorker.
- B - BakBone NetVault.
- C - CommVault QiNetix
- D - Syncsort Backup Express



Pass4sure Certification Exam Features;

- Pass4sure offers over **2500** Certification exams for professionals.
- More than **98,800** Satisfied Customers Worldwide.
- Average **99.8%** Success Rate.
- Over **120** Global Certification Vendors Covered.
- Services of **Professional & Certified Experts** available via support.
- Free **90 days** updates to match real exam scenarios.
- **Instant Download Access!** No Setup required.
- Price as low as **\$19**, which is 80% more **cost effective** than others.
- **Verified answers** researched by industry experts.
- Study Material **updated** on regular basis.
- Questions / Answers are downloadable in **PDF** format.
- Mobile Device Supported (**Android, iPhone, iPod, iPad**)
- **No authorization** code required to open exam.
- **Portable** anywhere.
- **Guaranteed Success.**
- **Fast**, helpful support **24x7**.



View list of All certification exams offered;
<http://www.ipass4sure.com/all exams.asp>

View list of All Study Guides (SG);
<http://www.ipass4sure.com/study-guides.asp>

View list of All Audio Exams (AE);
<http://www.ipass4sure.com/audio-exams.asp>

Download Any Certification Exam DEMO.
<http://www.ipass4sure.com/samples.asp>

To purchase Full version of exam click below;
<http://www.ipass4sure.com/all exams.asp>

3COM	CompTIA	Filemaker	IBM	LPI	OMG	Sun
ADOBE	ComputerAssociates	Fortinet	IISFA	McAfee	Oracle	Sybase
APC	CWNP	Foundry	Intel	McData	PMI	Symantec
Apple	DELL	Fujitsu	ISACA	Microsoft	Polycom	TeraData
BEA	ECCouncil	GuidanceSoftware	ISC2	Mile2	RedHat	TIA
BICSI	EMC	HDI	ISEB	NetworkAppliance	Sair	Tibco
CheckPoint	Enterasys	Hitachi	ISM	Network-General	SASInstitute	TruSecure
Cisco	ExamExpress	HP	Juniper	Nokia	SCP	Veritas
Citrix	Exin	Huawei	Legato	Nortel	See-Beyond	Vmware
CIW	ExtremeNetworks	Hyperion	Lotus	Novell	Google	

and many others.. See complete list [Here](#)

