

Examcollection

<http://www.ipass4sure.com/examcollection.htm>

HP0-238

HP

Supporting the MSA1000 and SCSI JBODS

<http://www.ipass4sure.com/exams.asp?examcode=HP0-238>

The HP0-238 practice exam is written and formatted by Certified Senior IT Professionals working in today's prospering companies and data centers all over the world! The HP0-238 Practice Test covers all the exam topics and objectives and will prepare you for success quickly and efficiently. The HP0-238 exam is very challenging, but with our HP0-238 questions and answers practice exam, you can feel confident in obtaining your success on the HP0-238 exam on your FIRST TRY!

HP HP0-238 Exam Features

- Detailed questions and answers for HP0-238 exam
- Try a demo before buying any HP exam
- HP0-238 questions and answers, updated regularly
- Verified HP0-238 answers by Experts and bear almost 100% accuracy
- HP0-238 tested and verified before publishing
- HP0-238 examcollection vce questions with exhibits
- HP0-238 same questions as real exam with multiple choice options

Acquiring HP certifications are becoming a huge task in the field of I.T. More over these exams like HP0-238 exam are now continuously updating and accepting this challenge is itself a task. This HP0-238 test is an important part of HP certifications. We have the resources to prepare you for this. The HP0-238 exam is essential and core part of HP certifications and once you clear the exam you will be able to solve the real life problems yourself. Want to take advantage of the Real HP0-238 Test and save time and money while developing your skills to pass your HP HP0-238 Exam? Let us help you climb that ladder of success and pass your HP0-238 now!

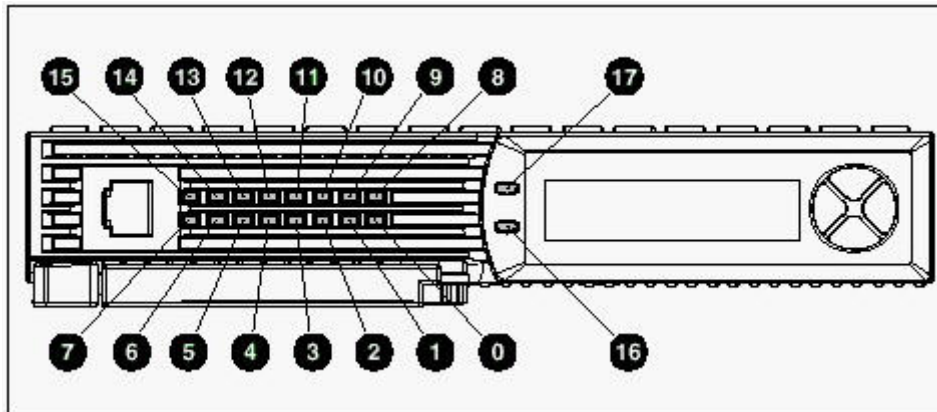
DEMO EXAM

For Full Version visit

<http://www.ipass4sure.com/allexams.asp>

Question: 1

Which LED on the MSA1000 controller indicates a failure on a configured hard disk?



- A - LED 9
- B - LED 15
- C - LED 16
- D - LED 17

Answer: B

Question: 2

The MSA1000 controller display module can hold up to 100 messages. Once the maximum is reached, the older messages will be_____.

- A - copied to the connected host using ACU-XE
- B - copied to the connected host using the serial line
- C - deleted
- D - copied to the connected metadata part of the disks

Answer: C

Question: 3

The customer has a single controller MSA1000 configuration. What is the recommended action to replace the failed controller?

- A - Power down the MSA1000. Remove the failed controller and install the old cache module in the replacement controller.
- B - Push the right arrow push button on the front panel to clear the cache of the controller and replace the failed controller.
- C - Replace the failed controller online, with a new cache installed.
- D - Push the left arrow push button on the front panel to clear the cache of the controller and replace the failed controller.

Answer: A

Question: 4

What is the recommended action to take when a controller fails in a redundant MSA1000 configuration?

- A - Power off the MSA1000 and replace the failed controller.

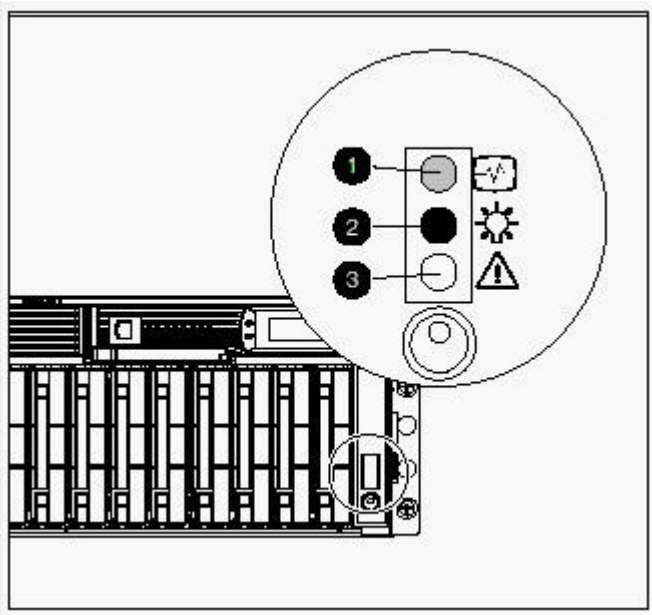
--	--	--

- B - Replace the failed controller online.
- C - Push the right arrow push button on the front panel to failover the controller and replace the failed controller.
- D - Modify the zoning so that the MSA1000 is not accessible during the online replacement of the failed controller.

Answer: B

Question: 5

The EMU in a MSA1000 has detected a temperature problem.



Which LED of the enclosure status indicators reports the problem and how does the LED display the error condition?

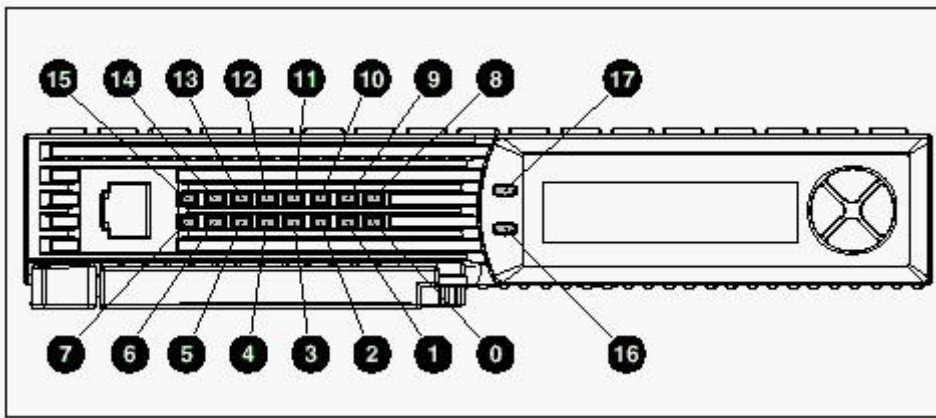
- A - LED 1 is off.
- B - LED 2 is amber.
- C - LED 3 is off.
- D - LED 3 is amber.

Answer: D

Question: 6

Which LED on the MSA1000 controller indicates an error message was sent to the controller display?

--	--	--



- A - LED 9
- B - LED 15
- C - LED 16
- D - LED 17

Answer: D

Question: 7

You are assigning DISK109 as a spare drive to array 8 containing logical drives 2 and 3. What is the correct CLI (command line interface) command?

- A - ADD SPARE UNIT=2 DISK109
- B - ADD SPARE ARRAY B DISK109
- C - SET SPARE ARRAY B DISK109
- D - SET SPARE UNIT 3 DISK109

Answer: A

Question: 8

On an MSA1000 disk, LED5 1 and 2 are OFF, and LED 3 is ON.

--	--	--



Pass4sure Certification Exam Features;

- Pass4sure offers over **2500** Certification exams for professionals.
- More than **98,800** Satisfied Customers Worldwide.
- Average **99.8%** Success Rate.
- Over **120** Global Certification Vendors Covered.
- Services of **Professional & Certified Experts** available via support.
- Free **90 days** updates to match real exam scenarios.
- **Instant Download Access!** No Setup required.
- Price as low as **\$19**, which is 80% more **cost effective** than others.
- **Verified answers** researched by industry experts.
- Study Material **updated** on regular basis.
- Questions / Answers are downloadable in **PDF** format.
- Mobile Device Supported (**Android, iPhone, iPod, iPad**)
- **No authorization** code required to open exam.
- **Portable** anywhere.
- **Guaranteed Success.**
- **Fast**, helpful support **24x7**.



View list of All certification exams offered;
<http://www.ipass4sure.com/all exams.asp>

View list of All Study Guides (SG);
<http://www.ipass4sure.com/study-guides.asp>

View list of All Audio Exams (AE);
<http://www.ipass4sure.com/audio-exams.asp>

Download Any Certification Exam DEMO.
<http://www.ipass4sure.com/samples.asp>

To purchase Full version of exam click below;
<http://www.ipass4sure.com/all exams.asp>

3COM	CompTIA	Filemaker	IBM	LPI	OMG	Sun
ADOBE	ComputerAssociates	Fortinet	IISFA	McAfee	Oracle	Sybase
APC	CWNP	Foundry	Intel	McData	PMI	Symantec
Apple	DELL	Fujitsu	ISACA	Microsoft	Polycom	TeraData
BEA	ECCouncil	GuidanceSoftware	ISC2	Mile2	RedHat	TIA
BICSI	EMC	HDI	ISEB	NetworkAppliance	Sair	Tibco
CheckPoint	Enterasys	Hitachi	ISM	Network-General	SASInstitute	TruSecure
Cisco	ExamExpress	HP	Juniper	Nokia	SCP	Veritas
Citrix	Exin	Huawei	Legato	Nortel	See-Beyond	Vmware
CIW	ExtremeNetworks	Hyperion	Lotus	Novell	Google	

and many others.. See complete list [Here](#)

