

Examcollection

<http://www.ipass4sure.com/examcollection.htm>

E20-095

EMC

Technology Foundations-CAS

<http://www.ipass4sure.com/exams.asp?examcode=E20-095>

The E20-095 practice exam is written and formatted by Certified Senior IT Professionals working in today's prospering companies and data centers all over the world! The E20-095 Practice Test covers all the exam topics and objectives and will prepare you for success quickly and efficiently. The E20-095 exam is very challenging, but with our E20-095 questions and answers practice exam, you can feel confident in obtaining your success on the E20-095 exam on your FIRST TRY!

EMC E20-095 Exam Features

- Detailed questions and answers for E20-095 exam
- Try a demo before buying any EMC exam
- E20-095 questions and answers, updated regularly
- Verified E20-095 answers by Experts and bear almost 100% accuracy
- E20-095 tested and verified before publishing
- E20-095 examcollection vce questions with exhibits
- E20-095 same questions as real exam with multiple choice options

Acquiring EMC certifications are becoming a huge task in the field of I.T. More over these exams like E20-095 exam are now continuously updating and accepting this challenge is itself a task. This E20-095 test is an important part of EMC certifications. We have the resources to prepare you for this. The E20-095 exam is essential and core part of EMC certifications and once you clear the exam you will be able to solve the real life problems yourself. Want to take advantage of the Real E20-095 Test and save time and money while developing your skills to pass your EMC E20-095 Exam? Let us help you climb that ladder of success and pass your E20-095 now!

DEMO EXAM

For Full Version visit

<http://www.ipass4sure.com/allexams.asp>

Exam Name:	EMC Technology Foundations-CAS		
Exam Type:	EMC		
Exam Code:	E20-095	Total Questions:	304

Question: 1

Which statement about Network backup is correct?

- A - Both Metadata and Data passes over the network infrastructure
- B - Only Data passes over the network infrastructure
- C - Only Metadata passes over the network infrastructure
- D - No Metadata or Data passes over the network infrastructure

Answer: A

Question: 2

In a Centera, how many internal switches are in a two cube Generation 4 cabinet?

- A - 2
- B - 3
- C - 4
- D - 5

Answer: C

Question: 3

What is a characteristic of Centera fixed content?

- A - Expandable
- B - Short-term storage
- C - Transaction Oriented
- D - Unalterable

Answer: D

Question: 4

What tool is used by service personnel to troubleshoot the Centera?

- A - Centera GUI
- B - Centera Manager
- C - Centera Viewer
- D - CentraStar Verify

Answer: C

Question: 5

What is a characteristic of a Content Address in Centera?

- A - Filesystem based
- B - Globally unique
- C - Location-dependent
- D - Sequentially based

Answer: B

Question: 6

Which statement is true about Celerra Replicator for iSCSI?

- A - Is a file level I/O transfer solution
- B - Is implemented over campus distances only

Exam Name:	EMC Technology Foundations-CAS		
Exam Type:	EMC		
Exam Code:	E20-095	Total Questions:	304

- C - Is implemented over traditional fibre channel infrastructures
- D - Is implemented over traditional network infrastructures

Answer: D

Question: 7

Which statement about Internet Protocol (IP) is correct?

- A - Defines the rules and procedures for sending information between network devices
- B - Delivers data grams to all members of its destination host group
- C - Maps a logical network layer address with a physical MAC address
- D - Sends administrative information between network devices

Answer: A

Question: 8

Which statement about User Datagram Protocol (UDP) is correct?

- A - Connectionless base protocol
- B - Every transmit requires an acknowledgement
- C - Guaranteed delivery protocol
- D - Ordered packet delivery

Answer: A

Question: 9

Which statement about Celerra TimeFinder/FS Near Copy is correct?

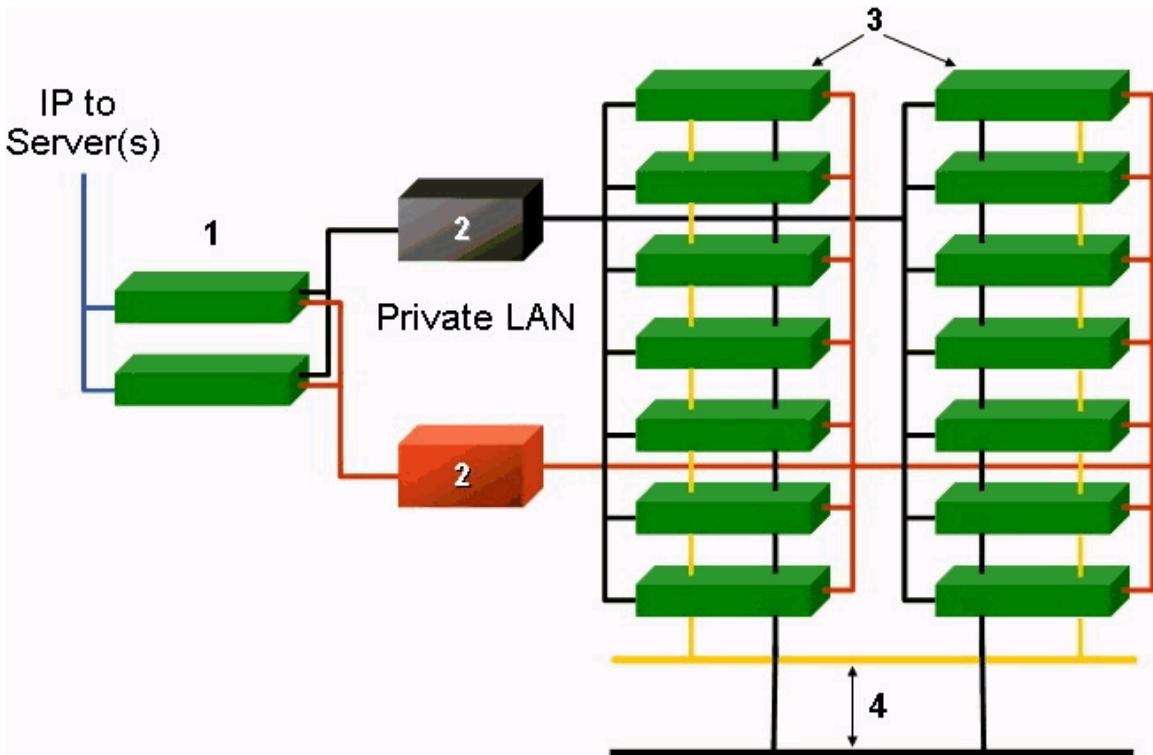
- A - Is a CLARiiON only solution
- B - Provides a discrete standalone copy of the file system
- C - Provides a pointer based view of the file system
- D - Shares the same volume as the Production File System

Answer: B

Question: 10

The exhibit displays the basic components of a Centera.

Exam Name:	EMC Technology Foundations-CAS		
Exam Type:	EMC	Total Questions:	304
Exam Code:	E20-095		



What are the names of the components labeled 2 and 3?

- A - 2=Access/Storage Nodes and 3=CUA
- B - 2=Access/Storage Nodes and 3=Storage Nodes
- C - 2=Switches and 3=Access/Storage Nodes
- D - 2= Switches and 3= Storage Nodes

Answer: D

Question: 11

How many CFIs exist in a NetWorker data zone?

- A - One per backup volume
- B- One per data zone
- C - One per NetWorker client
- D - One per NetWorker server

Answer: C

Question: 12

Which of the following is a dynamic routing protocol?

- A - DHCP
- B - NDMP
- C - OSPF
- D - SNMP

Answer: C

Question: 13



Pass4sure Certification Exam Features;

- Pass4sure offers over **2500** Certification exams for professionals.
- More than **98,800** Satisfied Customers Worldwide.
- Average **99.8%** Success Rate.
- Over **120** Global Certification Vendors Covered.
- Services of **Professional & Certified Experts** available via support.
- Free **90 days** updates to match real exam scenarios.
- **Instant Download Access!** No Setup required.
- Price as low as **\$19**, which is 80% more **cost effective** than others.
- **Verified answers** researched by industry experts.
- Study Material **updated** on regular basis.
- Questions / Answers are downloadable in **PDF** format.
- Mobile Device Supported (**Android, iPhone, iPod, iPad**)
- **No authorization** code required to open exam.
- **Portable** anywhere.
- **Guaranteed Success.**
- **Fast**, helpful support **24x7**.



View list of All certification exams offered;
<http://www.ipass4sure.com/all exams.asp>

View list of All Study Guides (SG);
<http://www.ipass4sure.com/study-guides.asp>

View list of All Audio Exams (AE);
<http://www.ipass4sure.com/audio-exams.asp>

Download Any Certification Exam DEMO.
<http://www.ipass4sure.com/samples.asp>

To purchase Full version of exam click below;
<http://www.ipass4sure.com/all exams.asp>

3COM	CompTIA	Filemaker	IBM	LPI	OMG	Sun
ADOBE	ComputerAssociates	Fortinet	IISFA	McAfee	Oracle	Sybase
APC	CWNP	Foundry	Intel	McData	PMI	Symantec
Apple	DELL	Fujitsu	ISACA	Microsoft	Polycom	TeraData
BEA	ECCouncil	GuidanceSoftware	ISC2	Mile2	RedHat	TIA
BICSI	EMC	HDI	ISEB	NetworkAppliance	Sair	Tibco
CheckPoint	Enterasys	Hitachi	ISM	Network-General	SASInstitute	TruSecure
Cisco	ExamExpress	HP	Juniper	Nokia	SCP	Veritas
Citrix	Exin	Huawei	Legato	Nortel	See-Beyond	Vmware
CIW	ExtremeNetworks	Hyperion	Lotus	Novell	Google	

and many others.. See complete list [Here](#)

