

# **Examcollection**

<http://www.ipass4sure.com/examcollection.htm>



<http://www.ipass4sure.com>

# 920-552

**Nortel**

*GSM BSS Operations and Maintenance*

<http://www.ipass4sure.com/exams.asp?examcode=920-552>

The 920-552 practice exam is written and formatted by Certified Senior IT Professionals working in today's prospering companies and data centers all over the world! The 920-552 Practice Test covers all the exam topics and objectives and will prepare you for success quickly and efficiently. The 920-552 exam is very challenging, but with our 920-552 questions and answers practice exam, you can feel confident in obtaining your success on the 920-552 exam on your FIRST TRY!

## Nortel 920-552 Exam Features

- Detailed questions and answers for 920-552 exam
- Try a demo before buying any Nortel exam
- 920-552 questions and answers, updated regularly
- Verified 920-552 answers by Experts and bear almost 100% accuracy
- 920-552 tested and verified before publishing
- 920-552 examcollection vce questions with exhibits
- 920-552 same questions as real exam with multiple choice options

Acquiring Nortel certifications are becoming a huge task in the field of I.T. More over these exams like 920-552 exam are now continuously updating and accepting this challenge is itself a task. This 920-552 test is an important part of Nortel certifications. We have the resources to prepare you for this. The 920-552 exam is essential and core part of Nortel certifications and once you clear the exam you will be able to solve the real life problems yourself. Want to take advantage of the Real 920-552 Test and save time and money while developing your skills to pass your Nortel 920-552 Exam? Let us help you climb that ladder of success and pass your 920-552 now!

# **DEMO EXAM**

For Full Version visit

<http://www.ipass4sure.com/allexams.asp>

**Question: 1**

Refer to the exhibit that appears below.  
What is the meaning of the icon in the exhibit?



- A. An antistatic bracelet (ESDS) must be worn.
- B. Gloves are recommended (high temperature).
- C. A power supply should never be replaced when it is energized (electric shock).
- D. Personnel must be authorized to work, according to the local safety standards.

**Answer: A**

**Question: 2**

In which NTP volume can you find the information about the replacement of a specific module in a GSM Base Transceiver Station (BTS) 18020?

- A. 411-9001-161 BTS 18000 Fault Clearing
- B. 411-9001-160 BTS 18000 Fundamentals
- C. 411-9001-162 BTS 18000 Troubleshooting
- D. 411-9001-051 TML (BTS) Commissioning and Fault management

**Answer: C**

**Question: 3**

Which function is NOT a function of the Base Transceiver Station (BTS) site manager?

- A. GSM Time management
- B. TX and RX management
- C. Abis interface management
- D. LAPD signaling concentration / deconcentration

**Answer: B**

**Question: 4**

What is the maximum power generated by a RM 1900?

- A. GSM 30 W - EDGE 30 W
- B. GSM 40 W - EDGE 30 W
- C. GSM 40 W - EDGE 40 W
- D. GSM 60 W - EDGE 45 W

**Answer: A**

**Question: 5**

What is the maximum number of TRXs in a three-cabinet GSM Base Transceiver Station (BTS) 18020 using MPRM modules?

- A. 6
- B. 9

- C. 18
- D. 54

**Answer: D**

**Question: 6**

What is the maximum configuration of the GSM Base Transceiver Station (BTS) 18000 using HPRM modules in V16.0?

- A. 3S6.6.6
- B. 3S16.16.16
- C. 3S18.18.18
- D. 3S12.12.12

**Answer: D**

**Question: 7**

What is the meaning of the S111 working mode in a RM module?

- A. Three TRXs of the RM belong to the same sector
- B. Three TRXs of the RM belong to three different sectors
- C. Three TRXs of the RM belong to the same frequency band
- D. Three TRXs of the RM belong to three different frequency bands

**Answer: B**

**Question: 8**

How many reception paths are needed in a Radio Module (RM) configured in O3 mode?

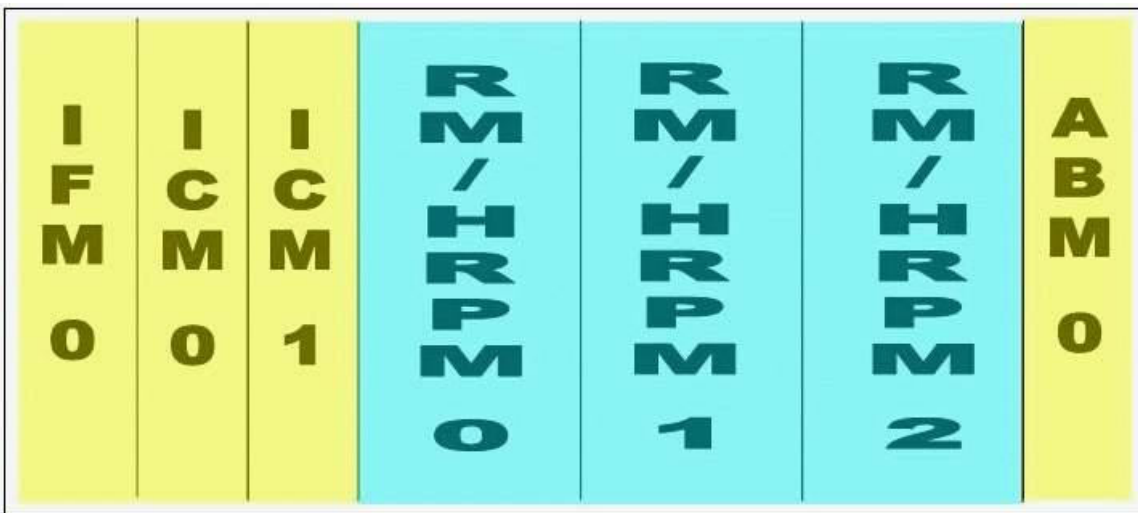
- A. It depends on the cabling of the DDM
- B. It depends on the configuration of the sector
- C. One main and one diversity path for all TRXs
- D. One main and one diversity path for each TRXs

**Answer: C**

**Question: 9**

Refer to the exhibit that appears below.

In which configuration of a GSM Base Transceiver Station (BTS) 18000 can two ICM boards reside in a single shelf?



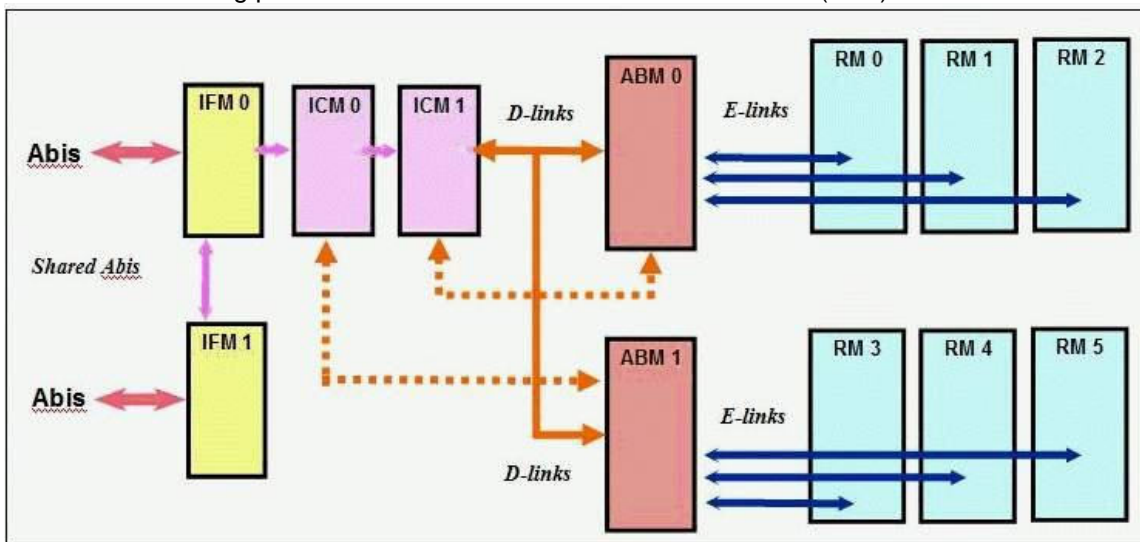
- A. A GSM BTS 18000 with IBP panel
- B. A GSM BTS 18000 with DBP panel
- C. A GSM BTS 18000 with CIBP panel
- D. A GSM BTS 18000 with CDBP panel

**Answer: C**

**Question: 10**

Refer to the exhibit that appears below.

What are the cabling problems in the GSM Base Transceiver Station (BTS) 18000?



- . The IFM1 should be directly connected to ICM0.
- B. The Abis should be directly connected to the ICM.
- C. The E-link should be between the ICM and the ABM.
- D. The ICM0 and ICM1 should be connected to ABM0 and ABM1 respectively.

**Answer: D**

**Question: 11**



## Pass4sure Certification Exam Features;

- Pass4sure offers over **2500** Certification exams for professionals.
- More than **98,800** Satisfied Customers Worldwide.
- Average **99.8%** Success Rate.
- Over **120** Global Certification Vendors Covered.
- Services of **Professional & Certified Experts** available via support.
- Free **90 days** updates to match real exam scenarios.
- **Instant Download Access!** No Setup required.
- Price as low as **\$19**, which is 80% more **cost effective** than others.
- **Verified answers** researched by industry experts.
- Study Material **updated** on regular basis.
- Questions / Answers are downloadable in **PDF** format.
- Mobile Device Supported (**Android, iPhone, iPod, iPad**)
- **No authorization** code required to open exam.
- **Portable** anywhere.
- **Guaranteed Success.**
- **Fast**, helpful support **24x7**.



View list of All certification exams offered;  
<http://www.ipass4sure.com/all exams.asp>

View list of All Study Guides (SG);  
<http://www.ipass4sure.com/study-guides.asp>

View list of All Audio Exams (AE);  
<http://www.ipass4sure.com/audio-exams.asp>

Download Any Certification Exam DEMO.  
<http://www.ipass4sure.com/samples.asp>

To purchase Full version of exam click below;  
<http://www.ipass4sure.com/all exams.asp>

3COM	CompTIA	Filemaker	IBM	LPI	OMG	Sun
ADOBE	ComputerAssociates	Fortinet	IISFA	McAfee	Oracle	Sybase
APC	CWNP	Foundry	Intel	McData	PMI	Symantec
Apple	DELL	Fujitsu	ISACA	Microsoft	Polycom	TeraData
BEA	ECCouncil	GuidanceSoftware	ISC2	Mile2	RedHat	TIA
BICSI	EMC	HDI	ISEB	NetworkAppliance	Sair	Tibco
CheckPoint	Enterasys	Hitachi	ISM	Network-General	SASInstitute	TruSecure
Cisco	ExamExpress	HP	Juniper	Nokia	SCP	Veritas
Citrix	Exin	Huawei	Legato	Nortel	See-Beyond	Vmware
CIW	ExtremeNetworks	Hyperion	Lotus	Novell	Google	

and many others.. See complete list [Here](#)

