

# **Examcollection**

<http://www.ipass4sure.com/examcollection.htm>



<http://www.ipass4sure.com>

# 642-978

## Cisco

*Cisco Data Center Unified Computing Design Specialist  
Qualifier Exam*

<http://www.ipass4sure.com/exams.asp?examcode=642-978>

The 642-978 practice exam is written and formatted by Certified Senior IT Professionals working in today's prospering companies and data centers all over the world! The 642-978 Practice Test covers all the exam topics and objectives and will prepare you for success quickly and efficiently. The 642-978 exam is very challenging, but with our 642-978 questions and answers practice exam, you can feel confident in obtaining your success on the 642-978 exam on your FIRST TRY!

### Cisco 642-978 Exam Features

- Detailed questions and answers for 642-978 exam
- Try a demo before buying any Cisco exam
- 642-978 questions and answers, updated regularly
- Verified 642-978 answers by Experts and bear almost 100% accuracy
- 642-978 tested and verified before publishing
- 642-978 examcollection vce questions with exhibits
- 642-978 same questions as real exam with multiple choice options

Acquiring Cisco certifications are becoming a huge task in the field of I.T. More over these exams like 642-978 exam are now continuously updating and accepting this challenge is itself a task. This 642-978 test is an important part of Cisco certifications. We have the resources to prepare you for this. The 642-978 exam is essential and core part of Cisco certifications and once you clear the exam you will be able to solve the real life problems yourself. Want to take advantage of the Real 642-978 Test and save time and money while developing your skills to pass your Cisco 642-978 Exam? Let us help you climb that ladder of success and pass your 642-978 now!

# **DEMO EXAM**

For Full Version visit

<http://www.ipass4sure.com/allexams.asp>

**QUESTION: 1**

Which two Cisco products complement the Cisco SFS family of products to provide server-side InfiniBand integration? (Choose two)

- A. iSCSI HCA
- B. Fibre Channel HCA
- C. InfiniBand switch modules
- D. Fibre Channel switch modules
- E. InfiniBand HCA card for IBM and Dell servers

**Answer:** C,E

**QUESTION: 2**

What are two MDS features that increase the efficiency of a multiple switch Fibre channel fabric? (Choose two)

- A. Port Channel
- B. COP
- C. FCP
- D. FCC
- E. CUP

**Answer:** A,D

**QUESTION: 3**

Which three capabilities make the Cisco nexus 7010 switch an effective solution for the data centre core? (Choose three)

- A. Unified I/O
- B. Virtualization
- C. Support for 48-port Gb/s line card
- D. Support for security service modules
- E. High performance
- F. High availability

**Answer:** A,E,F

**QUESTION: 4**

Which Cisco product is deployed for content routing purposes?

- A. Cisco ACE GSS
- B. Cisco ACE appliance
- C. Cisco content Engine 500
- D. Cisco ACE module

**Answer:** A

**QUESTION:** 5

Which statement is correct about the Cisco Catalyst 4948 Switch?

- A. Is nonblocking
- B. Perform only layer 2 switching
- C. Has up to 48-Gbps wire-speed performance
- D. Balances lower cost with lower-performance access layer switching

**Answer:** A

**QUESTION:** 6

Which three fibre Channel switch features are unique to Cisco's MDS 9000 Series switches? (Choose three)

- A. LUN Zoning
- B. Read-Only Zones
- C. Internet-Switch Link
- D. Fibre Channel Congestion Control
- E. FC link Aggregation
- F. FSPF

**Answer:** A,B,D

**QUESTION:** 7

Which two Cisco service modules can be deployed in redundant pairs with active active fail over?

- A. ACE
- B. CSM
- C. NAM
- D. FWSM
- E. SSLSM

**Answer:** A,D

**QUESTION:** 8

Used in combination with DHCP snooping, which feature helps prevent spoofing attacks in the data center access layer?

- A. RPF
- B. Port security
- C. RFC 3704 filtering
- D. Dynamic ARP Inspection

**Answer:** D

**QUESTION:** 9

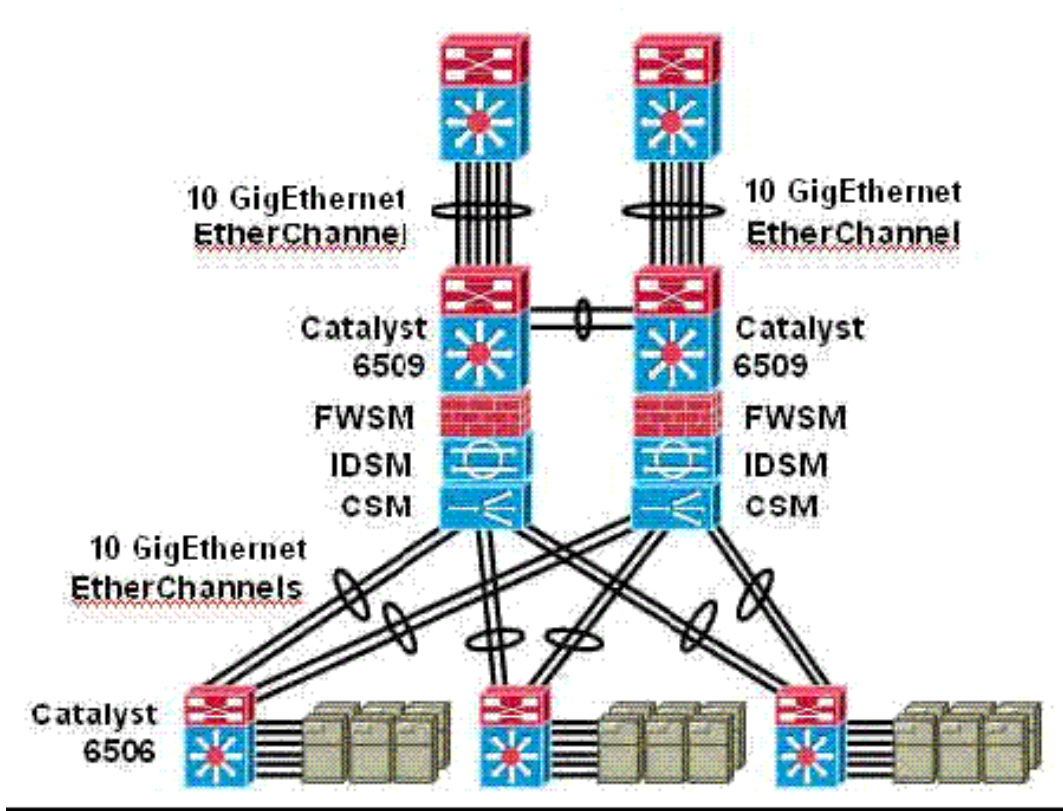
A government agency data center that is used for tax processing is located in an earthquake fault zone. A backup data center, located 300 km away, is linked to the main data center over an OC-3 connection. Which of the following provides the best solution to extend the SAN for business continuance and for support of their IP applications?

- A. Synchronous replication using FCIP
- B. iSCSI
- C. FCIP and asynchronous replication
- D. Dark fiber connectivity and use of synchronous replication over FC

**Answer:** C

**QUESTION:** 10

Refer to exhibit,

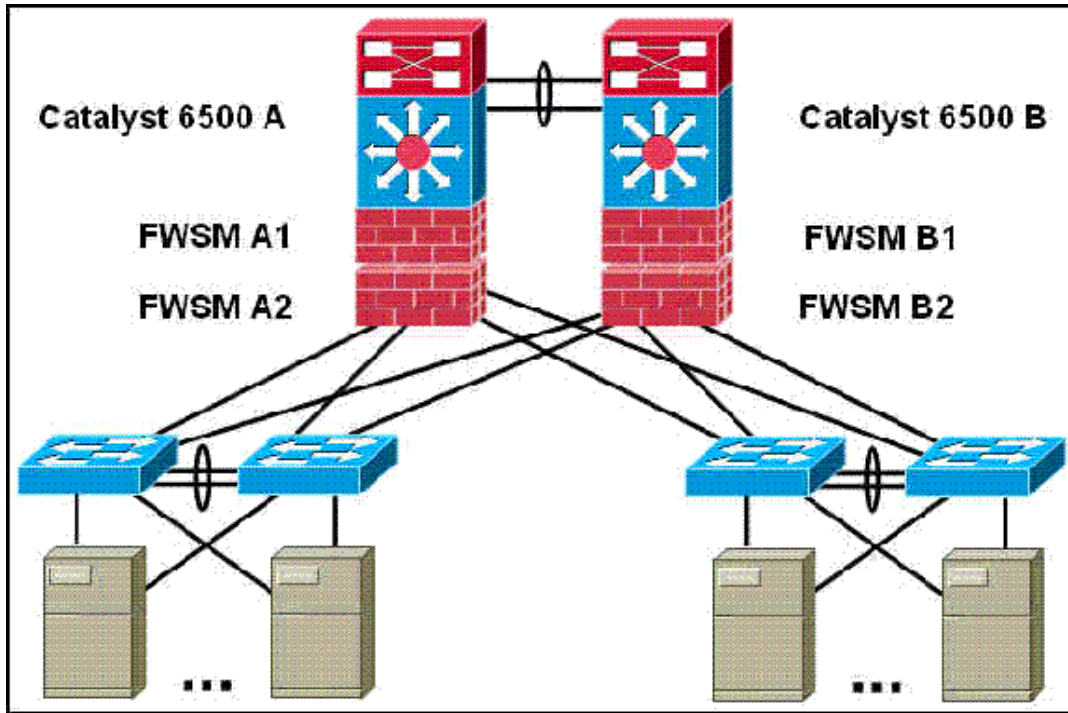


what would you recommend to a customer who is almost out of slots for 10-Gigabit Ethernet connections in the aggregation module?

- A. Add a second aggregation module
- B. Move the CSM modules to separate service layer switches
- C. Move the CSM modules to the access layer Cisco Catalyst 6508 Switches
- D. Upgrade the Cisco Catalyst 6508 switches in the aggregation layer to Cisco Catalyst 6613 Switches

**Answer:** B

**QUESTION:** 11  
Refer to the exhibit



Asymmetric connection attempts in the aggregation layer are occurring on redundant Cisco Catalyst 6500 Series FWSM modules what change might prevent this problem?

- A. Implement route tuning and root guard
- B. Add more Cisco Catalyst 6500 Series FWSM modules to each Cisco Catalyst 6500 switch.
- C. Reduce the over subscription on the aggregation-to-access links.
- D. Configure round-robin load balancing between the Cisco Catalyst 6500 Series FWSM modules.

**Answer:** A

**QUESTION:** 12





## Pass4sure Certification Exam Features;

- Pass4sure offers over **2500** Certification exams for professionals.
- More than **98,800** Satisfied Customers Worldwide.
- Average **99.8%** Success Rate.
- Over **120** Global Certification Vendors Covered.
- Services of **Professional & Certified Experts** available via support.
- Free **90 days** updates to match real exam scenarios.
- **Instant Download Access!** No Setup required.
- Price as low as **\$19**, which is 80% more **cost effective** than others.
- **Verified answers** researched by industry experts.
- Study Material **updated** on regular basis.
- Questions / Answers are downloadable in **PDF** format.
- Mobile Device Supported (**Android, iPhone, iPod, iPad**)
- **No authorization** code required to open exam.
- **Portable** anywhere.
- **Guaranteed Success.**
- **Fast**, helpful support **24x7**.



View list of All certification exams offered;  
<http://www.ipass4sure.com/allexams.asp>

View list of All Study Guides (SG);  
<http://www.ipass4sure.com/study-guides.asp>

View list of All Audio Exams (AE);  
<http://www.ipass4sure.com/audio-exams.asp>

Download Any Certification Exam DEMO.  
<http://www.ipass4sure.com/samples.asp>

To purchase Full version of exam click below;  
<http://www.ipass4sure.com/allexams.asp>

3COM	CompTIA	Filemaker	IBM	LPI	OMG	Sun
ADOBE	ComputerAssociates	Fortinet	IISFA	McAfee	Oracle	Sybase
APC	CWNP	Foundry	Intel	McData	PMI	Symantec
Apple	DELL	Fujitsu	ISACA	Microsoft	Polycom	TeraData
BEA	ECCouncil	GuidanceSoftware	ISC2	Mile2	RedHat	TIA
BICSI	EMC	HDI	ISEB	NetworkAppliance	Sair	Tibco
CheckPoint	Enterasys	Hitachi	ISM	Network-General	SASInstitute	TruSecure
Cisco	ExamExpress	HP	Juniper	Nokia	SCP	Veritas
Citrix	Exin	Huawei	Legato	Nortel	See-Beyond	Vmware
CIW	ExtremeNetworks	Hyperion	Lotus	Novell	Google	

and many others.. See complete list [Here](#)

