

Examcollection

<http://www.ipass4sure.com/examcollection.htm>



<http://www.ipass4sure.com>

310-051

Sun

Sun Certified Enterprise Architect for J2EE Technology

<http://www.ipass4sure.com/exams.asp?examcode=310-051>

Thousands of IT Professionals before you have already passed their 310-051 certification exams using the Sun 310-051 Practice Exam from ipass4sure.com. Once you start using our 310-051 exam questions you simply can't stop! You are guaranteed to pass your Sun 310-051 test with ease and in your first attempt.

Here's what you can expect from the ipass4sure Sun 310-051 course:

- * Up-to-Date Sun 310-051 questions designed to familiarize you with the real exam.
- * 100% correct Sun 310-051 answers you simply can't find in other 310-051 courses.
- * All of our tests are easy to download. Your file will be saved as a 310-051 PDF.
- * Sun 310-051 brain dump free content featuring the real 310-051 test questions.

Sun 310-051 Certification Exam is of core importance both in your Professional life and Sun Certification Path. With Sun Certification you can get a good job easily in the market and get on your path for success. Professionals who passed Sun 310-051 Certification Exam are an absolute favorite in the industry. If you pass Sun 310-051 Certification Exam then career opportunities are open for you.

Our 310-051 Questions & Answers provide you an easy solution to your Sun 310-051 Exam Preparation. Our 310-051 Q&As contains the most updated Sun 310-051 real tests. You can use our 310-051 Q&As on any PC with most versions of Acrobat Reader and prepare the exam easily.

DEMO EXAM

For Full Version visit

<http://www.ipass4sure.com/allexams.asp>

Exam Name:	Sun Certified Enterprise Architect for J2EE Technology		
Exam Type	Sun	Exam Code:	310-051
Doc. Type:	Q & A with Explanations	Total Questions:	146

Question: 1

Your company's employee assistance program (EAP) application is now required to be deployed on the Web.

The following are characteristics and requirements of the new system:

- * The UI is an off-the-shelf, unsigned terminal-emulator applet.
 - * The applet communicates with a terminal server using a proprietary TCP/IP-based protocol.
 - * The terminal server sits behind the corporate firewall and listens on port 10001.
 - * The only configurable items for the applet are the host IP and port of the terminal server.
 - * You company's firewall only allows traffic through on port 80 for HTTP and port 443 for HTTPS.
- Problem: The applet is unable to communicate through the firewall.

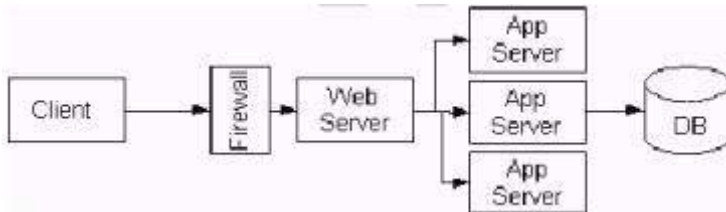
Which two statements about this architecture are false? (Choose two)

- A. If the applet were signed, it could communicate directly with the terminal server.
- B. If the terminal server were signed, the applet could communicate with it directly on port 10001.
- C. The applet can communicate with the terminal server if the firewall is modified to allow traffic through on port 10001.
- D. The applet can communicate with the terminal server if it is configured to communicate with the terminal server on port 80 or 443.

Answer: A, B

Question: 2

Exhibit:



The current architecture consists of one Web server, three application servers, and a database. The new architecture will add more Web servers.

Which two statements about the new architecture are false? (Choose two)

- A. Adding more webservers will have a negative impact on scalability.
- B. DNS round-robin can be used to load-distribute HTTP traffic to the Web servers.
- C. When using HTTP, a load-balancer takes care of managing Web-server session states.
- D. When using HTTPS, a load-balancer must route all traffic in the same session to the same Web server.

Answer: A, C

Question: 3

Which two improve software maintainability? (Choose two)

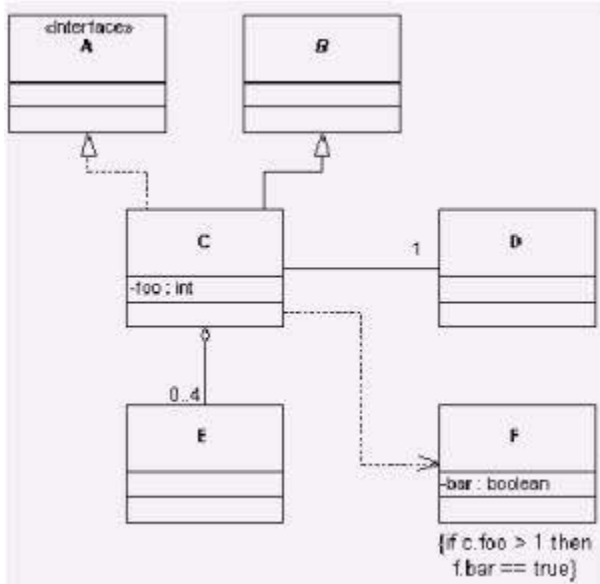
- A. Code factoring
- B. Reusing components
- C. Public instance variables
- D. Dependencies between components

Answer: A, B

Exam Name:	Sun Certified Enterprise Architect for J2EE Technology		
Exam Type	Sun	Exam Code:	310-051
Doc. Type:	Q & A with Explanations	Total Questions:	146

Question: 4

Exhibit:



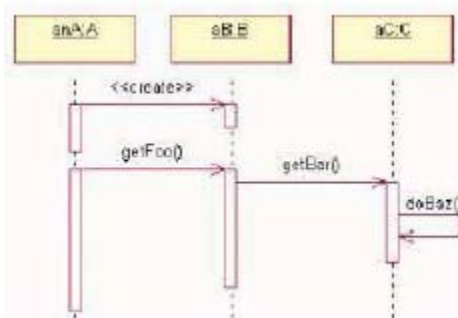
In the exhibit, what is the relationship between A and C?

- A. C depends on A
- B. A depends on C.
- C. A is a realization of C.
- D. C is a realization of A.
- E. C is an aggregation of A.
- F. A is a specialization of C.
- G. A is a generalization of C.
- H. C is a specialization of A.

Answer: D

Question: 5

Exhibit:



Which two statements about the exhibit are true? (Choose two)

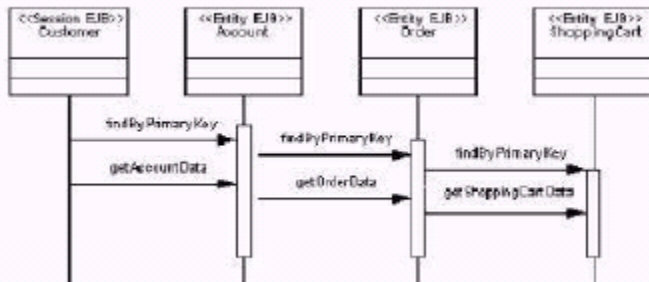
- A. The object method doBaz() is self-called.
- B. getBar() is a method in the C class.
- C. getBar() is a class B accessor method.
- D. The method doBaz() calls the getBar() method.
- E. doBaz() will return its result to the method getFoo().

Exam Name:	Sun Certified Enterprise Architect for J2EE Technology		
Exam Type	Sun	Exam Code:	310-051
Doc. Type:	Q & A with Explanations	Total Questions:	146

Answer: A, B

Question: 6

Exhibit:



The exhibit shows the communication between four EJBs.

Which change to the existing architecture helps increase performance?

- A. Convert all entity beans to stateful session beans.
- B. Convert all entity beans to stateless session beans.
- C. Use bean-managed persistence for each entity bean.
- D. Have each EJB hold a reference to the EJB it calls, instead of calling findByPrimaryKey().

Answer: D

Question: 7

Your supply chain software currently runs a standalone application which communicates to the backend services using IIOP.

The new requirements for the software are:

- * The client software must run as an applet.
- * The user's firewall will only allow port 80 and 443 traffic through its firewall.
- * All the backend services will be CORBA-based.
- * A Web server sits in front of the COBRA services.
- * The backend Web server runs on port 80 and 443.

Which two solutions support the new requirements? (Choose two)

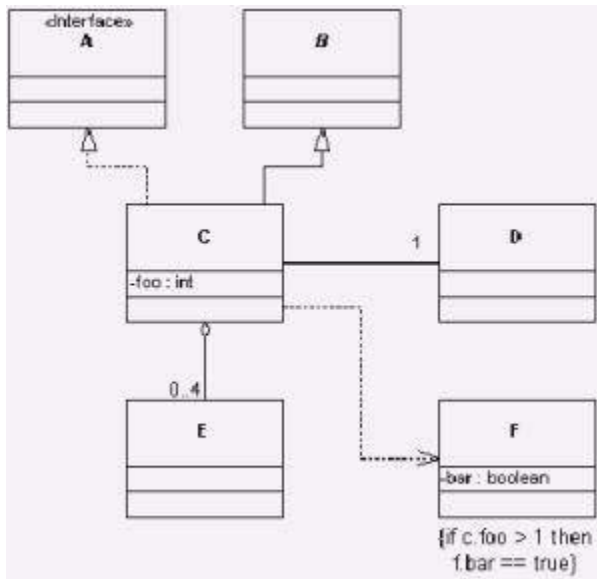
- A. You convert the application to an applet and use IIOP to communicate with the backend services.
- B. You convert the application to an applet running outside the browser and send XML through port 443.
- C. You convert the application to an applet and use IIOP tunneled through HTTP to communicate with the backend services.
- D. You convert the application to an applet and use HTTPS to communicate with a servlet which communicates with the backend services using IIOP.

Answer: C, D

Question: 8

Exhibit:

Exam Name:	Sun Certified Enterprise Architect for J2EE Technology		
Exam Type	Sun	Exam Code:	310-051
Doc. Type:	Q & A with Explanations	Total Questions:	146



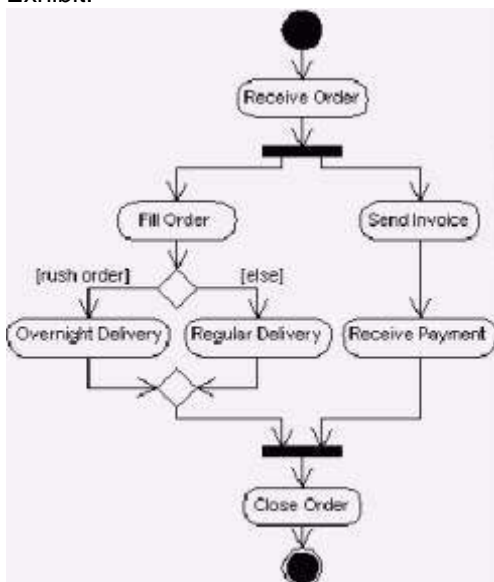
In the exhibit, what is the relationship between C and F?

- A. C depends on F.
- B. F depends on C.
- C. F is a realization of C.
- D. C is a realization of F.
- E. C is an aggregation of F.
- F. F is a specialization of C.
- G. F is a generalization of C.
- H. C is a specialization of F.

Answer : A

Question: 9

Exhibit:



What type of diagram is displayed in the exhibit?

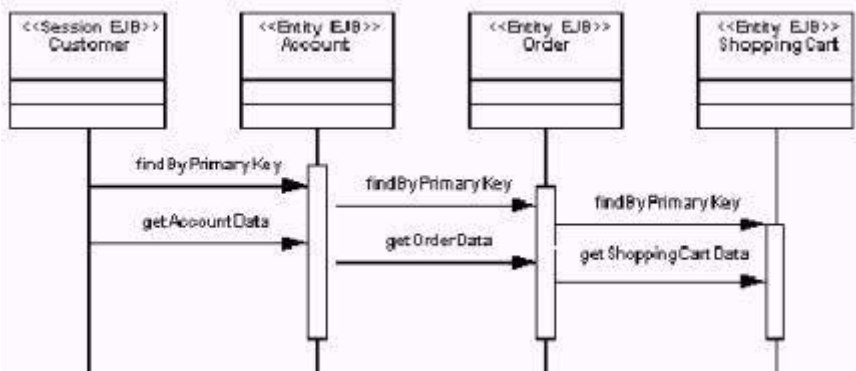
Exam Name:	Sun Certified Enterprise Architect for J2EE Technology		
Exam Type	Sun	Exam Code:	310-051
Doc. Type:	Q & A with Explanations	Total Questions:	146

- A. State diagram
- B. Activity diagram
- C. Class diagram
- D. Use case diagram
- E. Sequence diagram
- F. Interaction diagram
- G. Collaboration diagram

Answer: B

Question: 10

Exhibit:



The exhibit shows the communication between four EJBs.

Which two changes to the existing architecture will increase performance? (Choose two)

- A. Convert all entity beans to stateless session beans.
- B. Use bean-managed persistence for each entity bean.
- C. Have Customer call Account, Order, and ShoppingCart directly.
- D. Have each EJB hold a reference to the EJB it calls, instead of calling findByPrimaryKey().

Answer: C, D

Question: 11

What decreases software maintainability? (Choose two)

- A. Code reuse
- B. Data sharing
- C. High coupling
- D. Code factoring

Answer: B, C

Question: 12

Exhibit:

SAMPLE EXAM



Pass4sure \$89 Lifetime Membership Features;

- Pass4sure \$89 Lifetime Membership includes Over **2500** Exams in One Price.
- **All** Pass4sure **Questions and Answers** are included in \$89 package.
- **All** Pass4sure audio exams are included **free** in package (See List).
- **All** Pass4sure study guides are included **free** in package (See List).
- **Lifetime** login access, no hidden fee, no login expiry.
- **Free updates** for Lifetime.
- **Free Download Access** to All new exams added in future.
- Accurate answers with **explanations** (If applicable).
- **Verified answers** researched by industry experts.
- Study Material **updated** on regular basis.
- Questions, Answers and Study Guides are downloadable in **PDF** format.
- Audio Exams are downloadable in **MP3** format.
- **No authorization** code required to open exam.
- **Portable** anywhere.
- 100% success **Guarantee**.
- **Fast**, helpful support **24x7**.



View list of All exams (Q&A) provided in \$89 membership;
<http://www.ipass4sure.com/allexams.asp>

View list of All Study Guides (SG) provided FREE for members;
<http://www.ipass4sure.com/study-guides.asp>

View list of All Audio Exams (AE) provided FREE for members;
<http://www.ipass4sure.com/audio-exams.asp>

Download All Exams Sample QAs.
<http://www.ipass4sure.com/samples.asp>

To purchase \$89 Lifetime Full Access Membership click here (One time fee)
<https://www.regnow.com/softsell/nph-softsell.cgi?item=30820-3>

3COM	CompTIA	Filemaker	IBM	LPI	OMG	Sun
ADOBE	ComputerAssociates	Fortinet	IISFA	McAfee	Oracle	Sybase
APC	CWNP	Foundry	Intel	McData	PMI	Symantec
Apple	DELL	Fujitsu	ISACA	Microsoft	Polycom	TeraData
BEA	ECCouncil	GuidanceSoftware	ISC2	Mile2	RedHat	TIA
BICSI	EMC	HDI	ISEB	NetworkAppliance	Sair	Tibco
CheckPoint	Enterasys	Hitachi	ISM	Network-General	SASInstitute	TruSecure
Cisco	ExamExpress	HP	Juniper	Nokia	SCP	Veritas
Citrix	Exin	Huawei	Legato	Nortel	See-Beyond	Vmware
CIW	ExtremeNetworks	Hyperion	Lotus	Novell	SNIA	

and many others.. See complete list [Here](#)

