

# **Examcollection**

<http://www.ipass4sure.com/examcollection.htm>

<http://www.ipass4sure.com>

# 200-120 CCNA

**Cisco**

*Cisco Certified Network Associate*

<http://www.ipass4sure.com/exams.asp?examcode=200-120>

The 200-120 practice exam is written and formatted by Certified Senior IT Professionals working in today's prospering companies and data centers all over the world! The 200-120 Practice Test covers all the exam topics and objectives and will prepare you for success quickly and efficiently. The 200-120 exam is very challenging, but with our 200-120 questions and answers practice exam, you can feel confident in obtaining your success on the 200-120 exam on your FIRST TRY!

## Cisco 200-120 Exam Features

- Detailed questions and answers for 200-120 exam
- Try a demo before buying any Cisco exam
- 200-120 questions and answers, updated regularly
- Verified 200-120 answers by Experts and bear almost 100% accuracy
- 200-120 tested and verified before publishing
- 200-120 examcollection vce questions with exhibits
- 200-120 same questions as real exam with multiple choice options

Acquiring Cisco certifications are becoming a huge task in the field of I.T. More over these exams like 200-120 exam are now continuously updating and accepting this challenge is itself a task. This 200-120 test is an important part of Cisco certifications. We have the resources to prepare you for this. The 200-120 exam is essential and core part of Cisco certifications and once you clear the exam you will be able to solve the real life problems yourself. Want to take advantage of the Real 200-120 Test and save time and money while developing your skills to pass your Cisco 200-120 Exam? Let us help you climb that ladder of success and pass your 200-120 now!

# **DEMO EXAM**

For Full Version visit

<http://www.ipass4sure.com/allexams.asp>

**QUESTION: 1**

Refer to the exhibit. What could be possible causes for the "Serial0/0 is down" interface status? (Choose two.)

```
Router1# show interfaces serial 0/0  
Serial0/0 is down, line protocol is down  
  Hardware is MK5025  
  Serial Internet address is 10.1.1.2/24  
  MTU 1500 bytes, BW 1544 Kbits, DLY 20000 usec, rely 255/255 load 9/255  
  Encapsulation PPP, loopback not set, keepalive set (10 sec)
```

- A. A Layer 1 problem exists.
- B. The bandwidth is set too low.
- C. A protocol mismatch exists.
- D. An incorrect cable is being used.
- E. There is an incorrect IP address on the Serial 0/0 interface.

**Answer:** A, D

**QUESTION: 2**

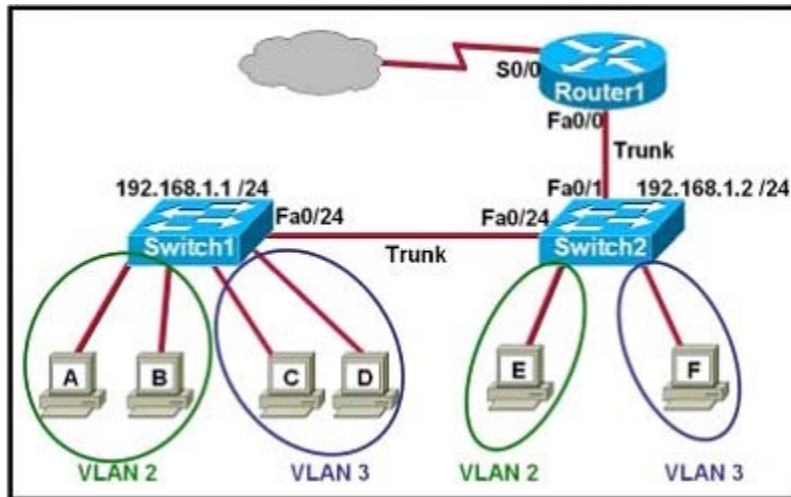
Before installing a new, upgraded version of the IOS, what should be checked on the router, and which command should be used to gather this information? (Choose two.)

- A. the amount of available ROM
- B. the amount of available flash and RAM memory
- C. the version of the bootstrap software present on the router
- D. show version
- E. show processes
- F. show running-config

**Answer:** B, D

**QUESTION: 3**

Refer to the exhibit. Which two statements are true about interVLAN routing in the topology that is shown in the exhibit? (Choose two.)

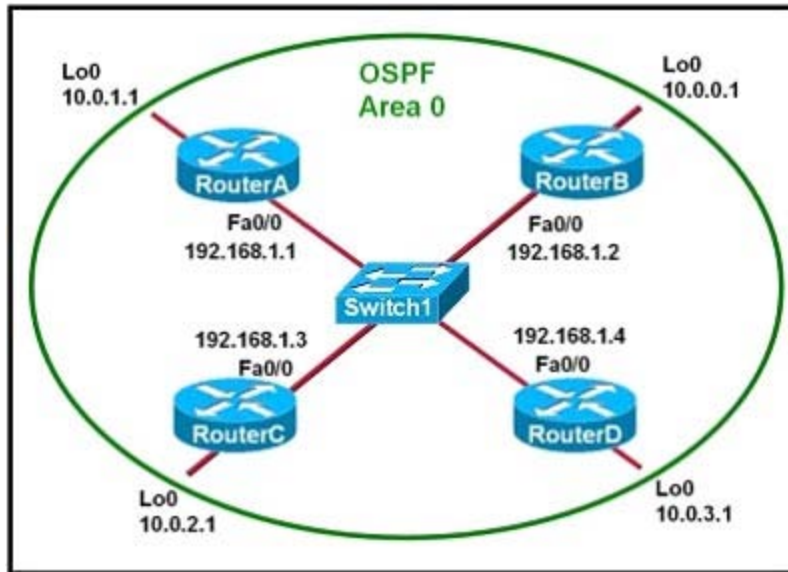


- A. Host E and host F use the same IP gateway address.
- B. Router1 and Switch2 should be connected via a crossover cable.
- C. Router1 will not play a role in communications between host A and host D.
- D. The FastEthernet 0/0 interface on Router1 must be configured with subinterfaces.
- E. Router1 needs more LAN interfaces to accommodate the VLANs that are shown in the exhibit.
- F. The FastEthernet 0/0 interface on Router1 and Switch2 trunk ports must be configured using the same encapsulation type.

**Answer:** D, F

**QUESTION:** 4

Refer to the exhibit. Which two statements are true about the loopback address that is configured on RouterB? (Choose two.)



- A. It ensures that data will be forwarded by RouterB.
- B. It provides stability for the OSPF process on RouterB.
- C. It specifies that the router ID for RouterB should be 10.0.0.1.
- D. It decreases the metric for routes that are advertised from RouterB.
- E. It indicates that RouterB should be elected the DR for the LAN.

**Answer:** B, C

**QUESTION: 5**

A network administrator is explaining VTP configuration to a new technician. What should the network administrator tell the new technician about VTP configuration? (Choose three.)

- A. A switch in the VTP client mode cannot update its local VLAN database.
- B. A trunk link must be configured between the switches to forward VTP updates.
- C. A switch in the VTP server mode can update a switch in the VTP transparent mode.
- D. A switch in the VTP transparent mode will forward updates that it receives to other switches.
- E. A switch in the VTP server mode only updates switches in the VTP client mode that have a higher VTP revision number.
- F. A switch in the VTP server mode will update switches in the VTP client mode regardless of the configured VTP domain membership.

**Answer:** A, B, D

**QUESTION: 6**

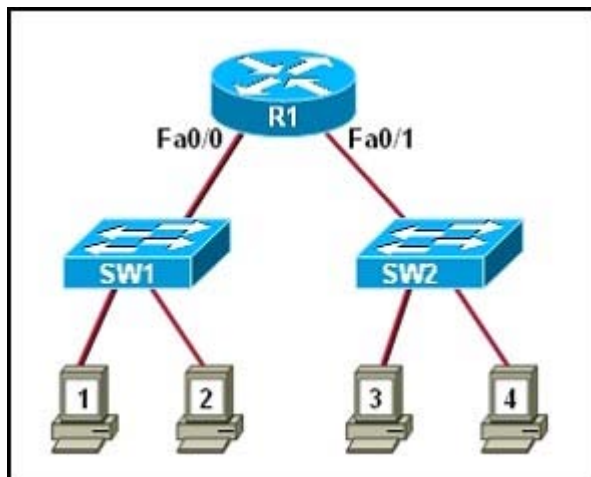
Which two locations can be configured as a source for the IOS image in the boot system command? (Choose two.)

- A. RAM
- B. NVRAM
- C. flash memory
- D. HTTP server
- E. TFTP server
- F. Telnet server

**Answer:** C, E

**QUESTION: 7**

Refer to the exhibit. Both switches are using a default configuration. Which two destination addresses will host 4 use to send data to host 1? (Choose two.)



- A. the IP address of host 1
- B. the IP address of host 4
- C. the MAC address of host 1
- D. the MAC address of host 4
- E. the MAC address of the Fa0/0 interface of the R1 router
- F. the MAC address of the Fa0/1 interface of the R1 router

**Answer:** A, F

**QUESTION: 8**

A company is installing IP phones. The phones and office computers connect to the same device. To ensure maximum throughput for the phone data, the company needs to make sure that the phone traffic is on a different network from that of the office computer data traffic. What is the best network device to which to directly connect the phones and computers, and what technology should be implemented on this device? (Choose two.)

- A. hub
- B. router
- C. switch
- D. STP
- E. subinterfaces
- F. VLAN

**Answer:** C, F

**QUESTION: 9**

What are two advantages of Layer 2 Ethernet switches over hubs? (Choose two.)

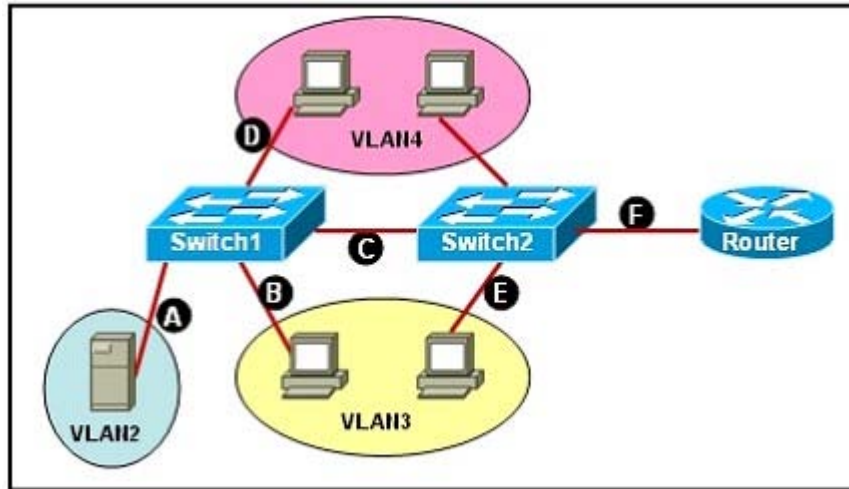
- A. decreasing the number of collision domains
- B. filtering frames based on MAC addresses
- C. allowing simultaneous frame transmissions
- D. increasing the size of broadcast domains
- E. increasing the maximum length of UTP cabling between devices

**Answer:** B, C

**QUESTION: 10**

Refer to the exhibit. A network associate needs to configure the switches and router in the graphic so that the hosts in VLAN3 and VLAN4 can communicate with the enterprise server in VLAN2. Which two Ethernet segments would need to be configured as trunk links? (Choose two.)





- A. A
- B. B
- C. C
- D. D
- E. E
- F. F

**Answer:** C, F

**QUESTION: 11**

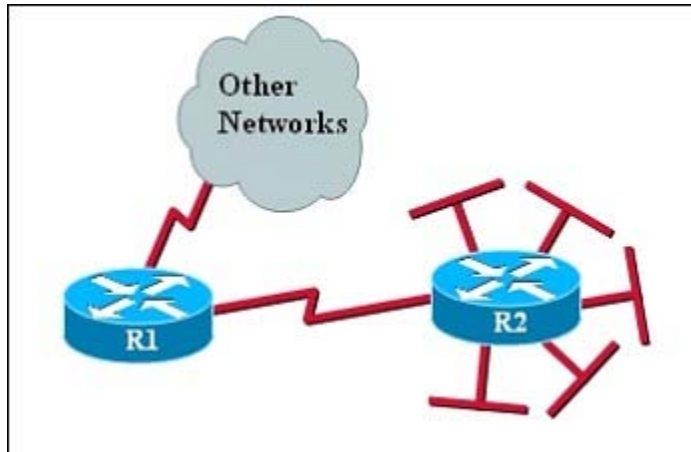
A network administrator changes the configuration register to 0x2142 and reboots the router. What are two results of making this change? (Choose two.)

- A. The IOS image will be ignored.
- B. The router will prompt to enter initial configuration mode.
- C. The router will boot to ROM.
- D. Any configuration entries in NVRAM will be ignored.
- E. The configuration in flash memory will be booted.

**Answer:** B, D

**QUESTION: 12**

Refer to the exhibit. The networks connected to router R2 have been summarized as a 192.168.176.0/21 route and sent to R1. Which two packet destination addresses will R1 forward to R2? (Choose two.)

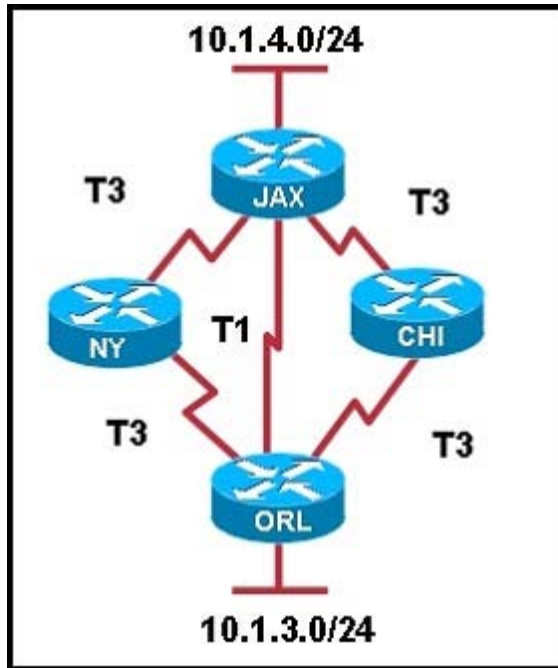


- A. 192.168.194.160
- B. 192.168.183.41
- C. 192.168.159.2
- D. 192.168.183.255
- E. 192.168.179.4
- F. 192.168.184.45

**Answer:** B, E

**QUESTION:** 13

Refer to the exhibit. Which three statements are true about how router JAX will choose a path to the 10.1.3.0/24 network when different routing protocols are configured? (Choose three.)



- A. By default, if RIPv2 is the routing protocol, only the path JAX-ORL will be installed into the routing table.
- B. The equal cost paths JAX-CHI-ORL and JAX- NY-ORL will be installed in the routing table if RIPv2 is the routing protocol.
- C. When EIGRP is the routing protocol, only the path JAX-ORL will be installed in the routing table by default.
- D. When EIGRP is the routing protocol, the equal cost paths JAX-CHI-ORL, and JAX-NY-ORL will be installed in the routing table by default.
- E. With EIGRP and OSPF both running on the network with their default configurations, the EIGRP paths will be installed in the routing table.
- F. The OSPF paths will be installed in the routing table, if EIGRP and OSPF are both running on the network with their default configurations.

**Answer:** A, D, E

**QUESTION:** 14

Switch ports operating in which two roles will forward traffic according to the IEEE 802.1w standard? (Choose two.)

- A. alternate
- B. backup
- C. designated
- D. disabled

E. root

**Answer:** C, E

**QUESTION: 15**

Refer to the exhibit. Given the output shown from this Cisco Catalyst 2950, what is the most likely reason that interface FastEthernet 0/10 is not the root port for VLAN 2?

```
Switch# show spanning-tree interface fastethernet0/10
Vlan          Role Sts Cost          Prio.Nbr Type
-----
VLAN0001     Root FWD 19           128.1   P2p
VLAN0002     Altn BLK 19           128.2   P2p
VLAN0003     Root FWD 19           128.2   P2p
```

- A. This switch has more than one interface connected to the root network segment in VLAN 2.
- B. This switch is running RSTP while the elected designated switch is running 802.1d Spanning Tree.
- C. This switch interface has a higher path cost to the root bridge than another in the topology.
- D. This switch has a lower bridge ID for VLAN 2 than the elected designated switch.

**Answer:** C

**QUESTION: 16**

Refer to the exhibit. The network administrator must establish a route by which London workstations can forward traffic to the Manchester workstations. What is the simplest way to accomplish this?



### Pass4sure Certification Exam Features;

- Pass4sure offers over **4500** Certification exams for professionals.
- More than **98,800** Satisfied Customers Worldwide.
- Average **99.8%** Success Rate.
- Over **150** Global Certification Vendors Covered.
- Services of **Professional & Certified Experts** available via support.
- Free **90 days** updates to match real exam scenarios.
- **Instant Download Access!** No Setup required.
- Price as low as **\$19**, which is 80% more **cost effective** than others.
- **Verified answers** researched by industry experts.
- Study Material **updated** on regular basis.
- Questions / Answers are downloadable in **PDF** format.
- Mobile Device Supported (**Android, iPhone, iPod, iPad**)
- **No authorization** code required to open exam.
- **Portable** anywhere.
- **Guaranteed Success.**
- **Fast**, helpful support **24x7**.

View list of All certification exams offered;  
<http://www.ipass4sure.com/allexams.asp>

View list of All Study Guides (SG);  
<http://www.ipass4sure.com/study-guides.asp>

View list of All Audio Exams (AE);  
<http://www.ipass4sure.com/audio-exams.asp>

Download Any Certification Exam DEMO.  
<http://www.ipass4sure.com/samples.asp>

To purchase Full version of exam click below;  
<http://www.ipass4sure.com/allexams.asp>

|            |                    |                  |         |                  |              |           |
|------------|--------------------|------------------|---------|------------------|--------------|-----------|
| 3COM       | CompTIA            | Filemaker        | IBM     | LPI              | OMG          | Sun       |
| ADOBE      | ComputerAssociates | Fortinet         | IISFA   | McAfee           | Oracle       | Sybase    |
| APC        | CWNP               | Foundry          | Intel   | McData           | PMI          | Symantec  |
| Apple      | DELL               | Fujitsu          | ISACA   | Microsoft        | Polycom      | TeraData  |
| BEA        | ECCouncil          | GuidanceSoftware | ISC2    | Mile2            | RedHat       | TIA       |
| BICSI      | EMC                | HDI              | ISEB    | NetworkAppliance | Sair         | Tibco     |
| CheckPoint | Enterasys          | Hitachi          | ISM     | Network-General  | SASInstitute | TruSecure |
| Cisco      | ExamExpress        | HP               | Juniper | Nokia            | SCP          | Veritas   |
| Citrix     | Exin               | Huawei           | Legato  | Nortel           | See-Beyond   | Vmware    |
| CIW        | ExtremeNetworks    | Hyperion         | Lotus   | Novell           | Google       |           |

and many others.. See complete list Here

