

Examcollection

<http://www.ipass4sure.com/examcollection.htm>



<http://www.ipass4sure.com>

050-696

Novell

Foundations of Novell Open Enterprise Server NetWare

The 050-696 practice exam is written and formatted by Certified Senior IT Professionals working in today's prospering companies and data centers all over the world! The 050-696 Practice Test covers all the exam topics and objectives and will prepare you for success quickly and efficiently. The 050-696 exam is very challenging, but with our 050-696 questions and answers practice exam, you can feel confident in obtaining your success on the 050-696 exam on your FIRST TRY!

Novell 050-696 Exam Features

- Detailed questions and answers for 050-696 exam
- Try a demo before buying any Novell exam
- 050-696 questions and answers, updated regularly
- Verified 050-696 answers by Experts and bear almost 100% accuracy
- 050-696 tested and verified before publishing
- 050-696 examcollection vce questions with exhibits
- 050-696 same questions as real exam with multiple choice options

Acquiring Novell certifications are becoming a huge task in the field of I.T. More over these exams like 050-696 exam are now continuously updating and accepting this challenge is itself a task. This 050-696 test is an important part of Novell certifications. We have the resources to prepare you for this. The 050-696 exam is essential and core part of Novell certifications and once you clear the exam you will be able to solve the real life problems yourself. Want to take advantage of the Real 050-696 Test and save time and money while developing your skills to pass your Novell 050-696 Exam? Let us help you climb that ladder of success and pass your 050-696 now!

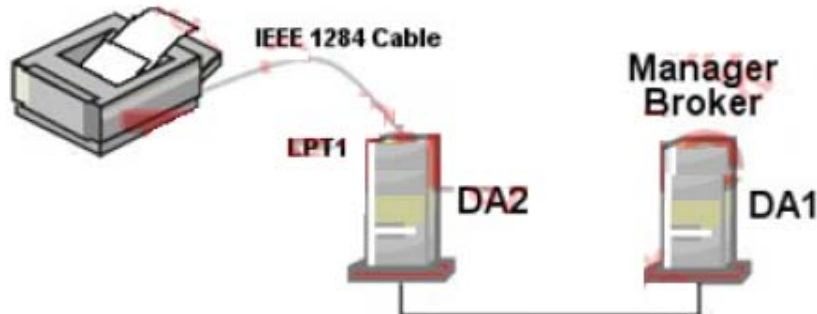
DEMO EXAM

For Full Version visit

<http://www.ipass4sure.com/allexams.asp>

QUESTION: 1.

Click the Exhibit button to begin.



You need to configure a special purpose thermal-transfer printer for your organization. Because it doesn't have a built-in network interface, you've connected it to LPT1 on your DA2 server using a parallel cable. The Printer Agents for your organization's printers are managed by an iPrint Manager and Broker on your DA1 server. You want to configure the iPrint Manager on DA1 to manage this new printer as well. Will this configuration work?

- A. Yes, all iPrint requirements have been met.
- B. No, iPrint isn't compatible with thermal printers.
- C. No, the Broker and the Manager can't reside on the same server.
- D. No, iPrint can't manage a printer connected to an LPT port on a server.
- E. No, locally-connected printers must have the Manager loaded on the local server.

Answer: E

QUESTION: 2.

Your company has four regional offices. You are the overall administrator for the entire organization. Each regional office has its own network administrator. You allow yourself and each regional administrator to use the Admin user object to manage the eDirectory tree. You have configured each user object to require unique passwords and to limit grace logins to 3. All user objects for temporary employees have an expiration date assigned to them. Do these policies conform to Novell's security recommendations.?

- A. Yes, all Novell security recommendations have been met.
- B. No, you shouldn't allow users objects to have grace logins.
- C. No, you shouldn't assign user accounts to temporary employees.
- D. No, you shouldn't use multiple network administrators for the same tree.

E. No, each container administrator should have their own user object with specific rights assigned.

Answer: E

QUESTION: 3.

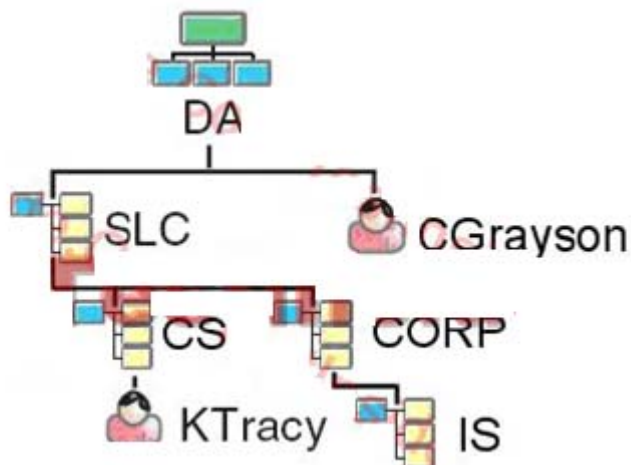
When installing OES NetWare, what is the minimum size for the server's DOS partition?

- A. 50 MB
- B. 100 MB
- C. 200 MB
- D. 300 MB
- E. 500 MB
- F. 750 MB

Answer: E

QUESTION: 4.

Click the Exhibit button to begin.



What is the context of the KTracy user object?

- A. CS.DA
- B. SLC . DA
- C. CS.SLC . DA
- D. CORP.SLC . DA

E. CORP.CS.SLC . DA

Answer: C

QUESTION: 5.

You're designing the eDirectory tree for your company. Your company is composed of four distinct subsidiary organizations. You decide to create four Organization objects at the root of your tree to represent each. Each subsidiary has its own Vice President who is in charge of the organization. You decide to create a user object for each Vice President in their respective Organization object. Will this design work?

- A. Yes, all eDirectory rules have been observed.
- B. No, user objects can't reside within an Organization object.
- C. No, Organization objects can only reside within Country objects.
- D. No, there can only be one Organization object within a given tree.
- E. No, Organization objects should not be used to represent subsidiaries. Organizational Unit objects should be used instead.

Answer: A

QUESTION: 6.

Which is the third file processed as the OES NetWare operating system boots?

- A. SERVER.EXE
- B. CONFIG . NCF
- C. STARTUP.NCF
- D. STARTUP.CFG
- E. AUTOEXEC . BAT
- F. AUTOEXEC . NCF

Answer: C

QUESTION: 7.

User NWadsworth has the ability to change passwords for users in the CORP.SLC .DA container in the DA-TREE . What should you check to identify where these rights are coming from? (Choose 3.)

- A. Rights granted to Public.
- B. Group objects NWadsworth is a member of.

- C. Alias objects associated with NWadsworth.
- D. Template objects associated with NWadsworth.
- E. Locality objects associated with NWadsworth.
- F. Objects that NWadsworth may be security equivalent to.

Answer: A, B, F

QUESTION: 8.

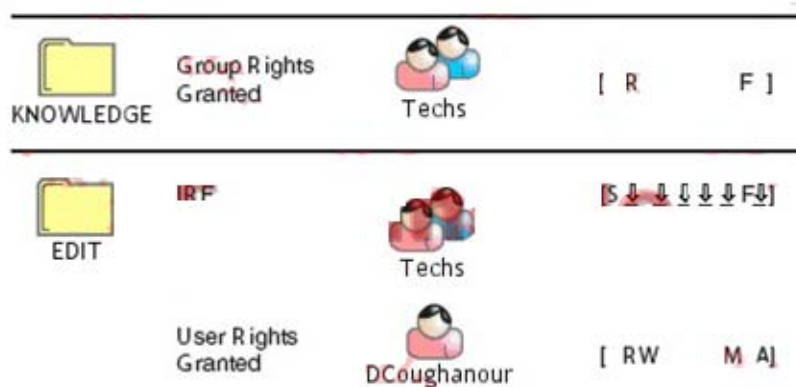
What properties are added to User objects when the eDirectory schema is extended to support iFolder? (Choose 2.)

- A. iFolderQuota
- B. iFolderUserName
- C. iFolderPassword
- D. iFolderLDAPServer
- E. iFolderServerName
- F. iFolderHomeDirectory

Answer: A, E

QUESTION: 9.

Click the Exhibit button to begin.



The user object DCoughanour is a member of the Techs group. This group has been assigned Read and File Scan file system rights to the KNOWLEDGE folder. EDIT is a subdirectory of KNOWLEDGE that contains support files that are waiting to be edited before being published. An IRF has been placed on this directory that blocks all rights except for the Supervisor and File Scan rights. User DCoughanour needs access to these files that will allow him to edit them. His object has an explicit rights



Pass4sure Certification Exam Features;

- Pass4sure offers over **2500** Certification exams for professionals.
- More than **98,800** Satisfied Customers Worldwide.
- Average **99.8%** Success Rate.
- Over **120** Global Certification Vendors Covered.
- Services of **Professional & Certified Experts** available via support.
- Free **90 days** updates to match real exam scenarios.
- **Instant Download Access!** No Setup required.
- Price as low as **\$19**, which is 80% more **cost effective** than others.
- **Verified answers** researched by industry experts.
- Study Material **updated** on regular basis.
- Questions / Answers are downloadable in **PDF** format.
- Mobile Device Supported (**Android, iPhone, iPod, iPad**)
- **No authorization** code required to open exam.
- **Portable** anywhere.
- **Guaranteed Success.**
- **Fast**, helpful support **24x7**.



View list of All certification exams offered;
<http://www.ipass4sure.com/allexams.asp>

View list of All Study Guides (SG);
<http://www.ipass4sure.com/study-guides.asp>

View list of All Audio Exams (AE);
<http://www.ipass4sure.com/audio-exams.asp>

Download Any Certification Exam DEMO.
<http://www.ipass4sure.com/samples.asp>

To purchase Full version of exam click below;
<http://www.ipass4sure.com/allexams.asp>

3COM	CompTIA	Filemaker	IBM	LPI	OMG	Sun
ADOBE	ComputerAssociates	Fortinet	IISFA	McAfee	Oracle	Sybase
APC	CWNP	Foundry	Intel	McData	PMI	Symantec
Apple	DELL	Fujitsu	ISACA	Microsoft	Polycom	TeraData
BEA	ECCouncil	GuidanceSoftware	ISC2	Mile2	RedHat	TIA
BICSI	EMC	HDI	ISEB	NetworkAppliance	Sair	Tibco
CheckPoint	Enterasys	Hitachi	ISM	Network-General	SASInstitute	TruSecure
Cisco	ExamExpress	HP	Juniper	Nokia	SCP	Veritas
Citrix	Exin	Huawei	Legato	Nortel	See-Beyond	Vmware
CIW	ExtremeNetworks	Hyperion	Lotus	Novell	Google	

and many others.. See complete list [Here](#)

