

Examcollection

<http://www.ipass4sure.com/examcollection.htm>



<http://www.ipass4sure.com>

050-634

Novell

NDS Design and Implimentation

<http://www.ipass4sure.com/exams.asp?examcode=050-634>

The 050-634 practice exam is written and formatted by Certified Senior IT Professionals working in today's prospering companies and data centers all over the world! The 050-634 Practice Test covers all the exam topics and objectives and will prepare you for success quickly and efficiently. The 050-634 exam is very challenging, but with our 050-634 questions and answers practice exam, you can feel confident in obtaining your success on the 050-634 exam on your FIRST TRY!

Novell 050-634 Exam Features

- Detailed questions and answers for 050-634 exam
- Try a demo before buying any Novell exam
- 050-634 questions and answers, updated regularly
- Verified 050-634 answers by Experts and bear almost 100% accuracy
- 050-634 tested and verified before publishing
- 050-634 examcollection vce questions with exhibits
- 050-634 same questions as real exam with multiple choice options

Acquiring Novell certifications are becoming a huge task in the field of I.T. More over these exams like 050-634 exam are now continuously updating and accepting this challenge is itself a task. This 050-634 test is an important part of Novell certifications. We have the resources to prepare you for this. The 050-634 exam is essential and core part of Novell certifications and once you clear the exam you will be able to solve the real life problems yourself. Want to take advantage of the Real 050-634 Test and save time and money while developing your skills to pass your Novell 050-634 Exam? Let us help you climb that ladder of success and pass your 050-634 now!

DEMO EXAM

For Full Version visit

<http://www.ipass4sure.com/allexams.asp>

Total Question.102

QUESTION 1

You have installed the first four servers in Certkiller 's NDS tree. You accepted all time defaults when installing. What types of time servers exist in your tree?

- A. 1 Primary and 3 secondaries
- B. 1 reference and 3 secondaries
- C. 1 single reference and 3 secondaries
- D. 1 reference, 2 primaries, and 1 secondary
- E. 1 single reference, 1 primary, and 2 secondaries

Answer: C

QUESTION 2

Examine the exhibits

Exhibit A:

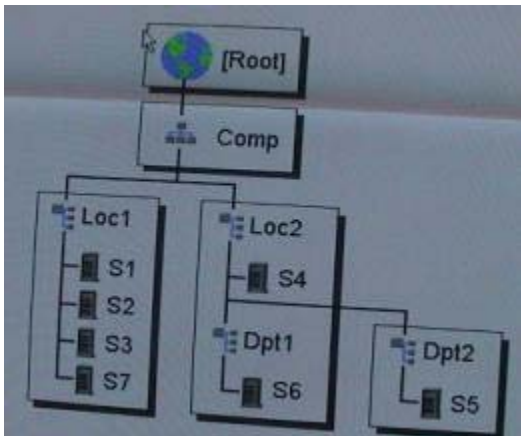


Exhibit B:

Server	Partitions				
	[Root]	Comp	Loc1	Loc2	Dpt2
S1				R/W	R/W
S2	Master	R/W	R/W		
S3		Master	Master		
S4				R/W	R/W
S5				Master	Master
S6	R/W	R/W			
S7	R/W		R/W		

Which servers hold a subordinate reference replica of the Loc2 partition? (Choose Three)

- A. S1
- B. S2
- C. S3
- D. S4

- E. S5
- F. S6
- G. S7

Answer: B, C, F

QUESTION 3

What are the primary methods of network administration? (Choose two)

- A. Location administration
- B. Container administration
- C. Partition administration
- D. Centralized administration
- E. Decentralized administration

Answer: D, E

QUESTION 4

Which statements are true regarding NDS rights after merging trees? (Choose two)

- A. The trustee list (ACL) of the source tree [Root] is discarded
- B. The admin object in the target tree loses all rights to [Root]
- C. The source NDS tree user object used in the merge will be granted Supervisor object rights to the entire new NDS tree
- D. Trustees of the target NDS tree [Root] will be lost
- E. The target server object will be granted rights to [Root] of the new NDS tree

Answer: A, C

QUESTION 5

If a secondary time server is not synchronized to a single reference time server, what percentage of the time difference does the secondary time server make during the next polling process?

- A. 10%
- B. 25%
- C. 50%
- D. 75%
- E. 100%

Answer: E

QUESTION 6

After the merging of two trees is complete, what are additional tasks that might need to be performed? (Choose Two)

- A. Correct login scripts
- B. Recreate the target tree's Admin user
- C. Reapply all replicas back to the target server
- D. Modify client parameter for the name context and preferred tree parameters
- E. Restore the rights to those users who had rights to the target tree's [Root] object

Answer: A, D

QUESTION 7

Examine the exhibits.

Exhibit A:

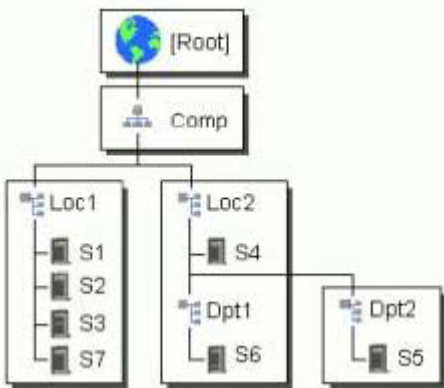


Exhibit B:

Server	Partitions				
	[Root]	Comp	Loc1	Loc2	Dpt2
S1	Master	R/W Master	R/W Master	R/W	R/W
S2				R/W	R/W
S3				R/W	R/W
S4	R/W R/W	R/W	R/W	R/W Master	R/W Master
S5				R/W	R/W
S6				R/W	R/W
S7					

Which servers will hold at least one subordinate reference replica? (Choose Four)

- A. S1
- B. S2
- C. S3
- D. S4
- E. S5
- F. S6
- G. S7

Answer: B, C, F, G

QUESTION 8

Which of the following options apply when administrating mobile users? (Choose two)



Pass4sure Certification Exam Features;

- Pass4sure offers over **2500** Certification exams for professionals.
- More than **98,800** Satisfied Customers Worldwide.
- Average **99.8%** Success Rate.
- Over **120** Global Certification Vendors Covered.
- Services of **Professional & Certified Experts** available via support.
- Free **90 days** updates to match real exam scenarios.
- **Instant Download Access!** No Setup required.
- Price as low as **\$19**, which is 80% more **cost effective** than others.
- **Verified answers** researched by industry experts.
- Study Material **updated** on regular basis.
- Questions / Answers are downloadable in **PDF** format.
- Mobile Device Supported (**Android, iPhone, iPod, iPad**)
- **No authorization** code required to open exam.
- **Portable** anywhere.
- **Guaranteed Success.**
- **Fast**, helpful support **24x7**.



View list of All certification exams offered;
<http://www.ipass4sure.com/all exams.asp>

View list of All Study Guides (SG);
<http://www.ipass4sure.com/study-guides.asp>

View list of All Audio Exams (AE);
<http://www.ipass4sure.com/audio-exams.asp>

Download Any Certification Exam DEMO.
<http://www.ipass4sure.com/samples.asp>

To purchase Full version of exam click below;
<http://www.ipass4sure.com/all exams.asp>

3COM	CompTIA	Filemaker	IBM	LPI	OMG	Sun
ADOBE	ComputerAssociates	Fortinet	IISFA	McAfee	Oracle	Sybase
APC	CWNP	Foundry	Intel	McData	PMI	Symantec
Apple	DELL	Fujitsu	ISACA	Microsoft	Polycom	TeraData
BEA	ECCouncil	GuidanceSoftware	ISC2	Mile2	RedHat	TIA
BICSI	EMC	HDI	ISEB	NetworkAppliance	Sair	Tibco
CheckPoint	Enterasys	Hitachi	ISM	Network-General	SASInstitute	TruSecure
Cisco	ExamExpress	HP	Juniper	Nokia	SCP	Veritas
Citrix	Exin	Huawei	Legato	Nortel	See-Beyond	Vmware
CIW	ExtremeNetworks	Hyperion	Lotus	Novell	Google	

and many others.. See complete list [Here](#)

