

# **Examcollection**

<http://www.ipass4sure.com/examcollection.htm>



<http://www.ipass4sure.com>

# 000-991

## IBM

*IBM WebSphere Business Modeler Advanced V6.0.2 Business Analysis and Design*

<http://www.ipass4sure.com/exams.asp?examcode=000-991>

The 000-991 practice exam is written and formatted by Certified Senior IT Professionals working in today's prospering companies and data centers all over the world! The 000-991 Practice Test covers all the exam topics and objectives and will prepare you for success quickly and efficiently. The 000-991 exam is very challenging, but with our 000-991 questions and answers practice exam, you can feel confident in obtaining your success on the 000-991 exam on your FIRST TRY!

### IBM 000-991 Exam Features

- Detailed questions and answers for 000-991 exam
- Try a demo before buying any IBM exam
- 000-991 questions and answers, updated regularly
- Verified 000-991 answers by Experts and bear almost 100% accuracy
- 000-991 tested and verified before publishing
- 000-991 examcollection vce questions with exhibits
- 000-991 same questions as real exam with multiple choice options

Acquiring IBM certifications are becoming a huge task in the field of I.T. More over these exams like 000-991 exam are now continuously updating and accepting this challenge is itself a task. This 000-991 test is an important part of IBM certifications. We have the resources to prepare you for this. The 000-991 exam is essential and core part of IBM certifications and once you clear the exam you will be able to solve the real life problems yourself. Want to take advantage of the Real 000-991 Test and save time and money while developing your skills to pass your IBM 000-991 Exam? Let us help you climb that ladder of success and pass your 000-991 now!

# **DEMO EXAM**

For Full Version visit

<http://www.ipass4sure.com/allexams.asp>

**Question: 1**

A business analyst is validating a model. The analyst right-clicks on the simulation profile and selects Profile Analysis > Static Process Cases Summary. However, the results are not as expected. A message is displayed indicating that the elements within the model prevent this analysis from being performed. Which types of elements in the process would cause this problem?

- A. Services, a Notification business item or any global tasks that are in the process
- B. Repositories, Maps, or observers that are elements in the process
- C. A For Loop, a While Loop, or a Do-While Loop in the process
- D. Local processes with nested organization catalogs or nested resource catalogs

**Answer: B**

**Question: 2**

A business analyst is planning to shorten processing time by 30% and does not expect the average throughput to vary in the future. After running simulation and conducting analysis of the current process, the business analyst has identified the problem area, and has developed multiple alternative future process models.

Which comparative analysis should be used to identify which future process models will achieve the planned reduction, within the identified problem area, when compared to the current process model?

- A. Processes Resources Time Comparison Analysis
- B. Processes Duration Comparison Analysis
- C. Processes Activities Total Time Comparison Analysis
- D. Processes Classifier Duration Comparison Analysis

**Answer: C**

**Question: 3**

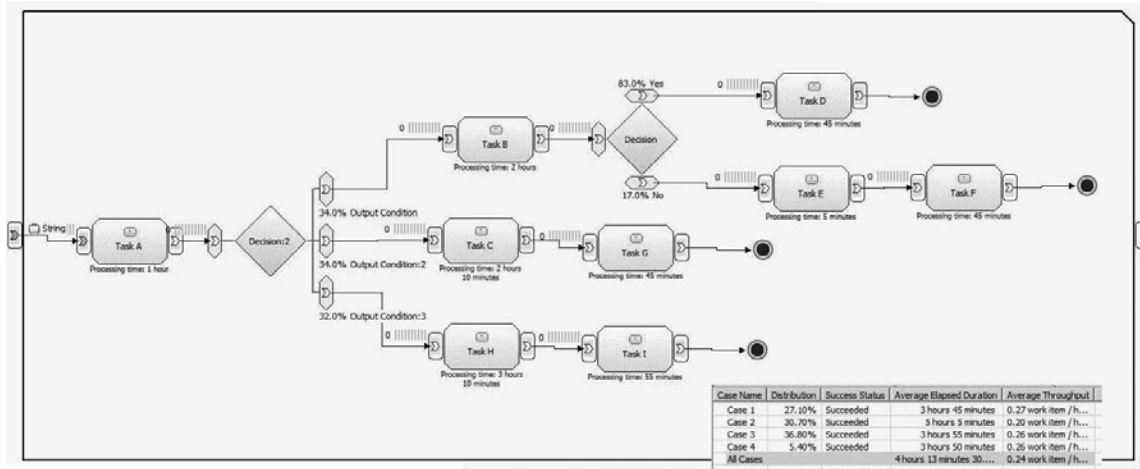
Which analysis should be performed before simulation to check for the activities in the process model flow that can create a potential for bottlenecks or underutilization?

- A. Activity Throughput
- B. Activity Resource and Role Leveling
- C. Activity Cost and Duration
- D. Activity Resource Allocation

**Answer: A**

**Question: 4**

Refer to the exhibit.



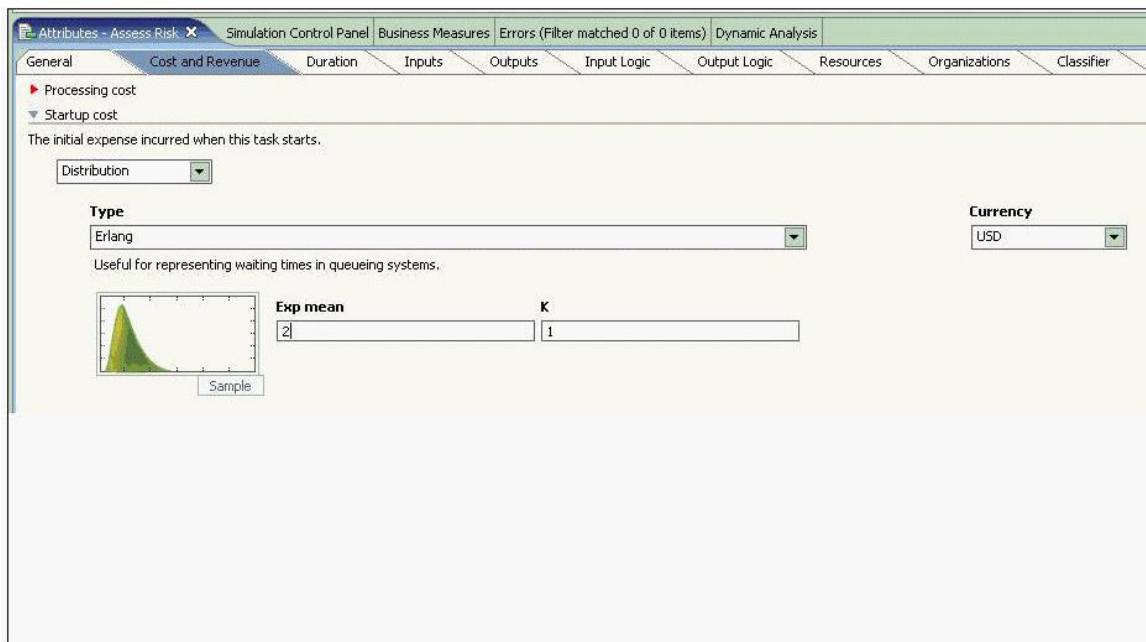
Process Duration analysis is being performed on an analysis model with multiple processing paths that can be taken based on decision distributions. The exhibit illustrates this process model as well as the Process Case Analysis Results for Process Duration. How can each specific case in the process be identified within the process diagram?

- Visually determine the longest path by the number of tasks that it contains. This corresponds to the case with the longest Average Elapsed Duration.
- Calculate the sum of task durations for each task in a given path. Compare this value with each case's Average Elapsed Duration value.
- Determine the number of tokens that will flow down each processing path based on decision distributions. Determine its percentage against the total number of tokens. Match the distribution value against the values in the case analysis.
- Select a row pertaining to an individual case in the dynamic analysis results view. The path will be highlighted through the process.
- Each case is organized visually from top to bottom. Case 1 will represent the top visual path, Case 2 will represent the 2nd highest visual path, etc.

**Answer: D**

**Question: 5**

Refer to the exhibit.



For the "Assess Risk" local task, the startup cost has been defined as shown in the exhibit. When the business analyst runs static analysis for 'Activity Cost and Duration', the startup cost for the exhibit is not supplied.

What could be the problem?

- A. The Erlang distribution is useful only for representing wait times in queueing systems and therefore is not applicable for this situation.
- B. Startup costs are only relevant in modeling contexts if they are entered at the process level, not at the task level.
- C. There is no statistical analysis report that can be used to show costs.
- D. Distributions are relevant in simulation and this analysis will not evaluate an activity's startup cost if it is specified as a distribution.

**Answer: D**

**Question: 6**

After running the simulation of a complex process for a long period of time, the business analyst stopped the simulation and suspected the existence of an infinite loop in the process flow execution. How should the business analyst determine if there is an infinite loop or not?

- A. Run Path cycles analysis
- B. Inspect the simulation results
- C. Run Paths unable to be followed analysis
- D. Perform desktop test

**Answer: A**

**Question: 7**

Refer to the exhibit.



## Pass4sure Certification Exam Features;

- Pass4sure offers over **2500** Certification exams for professionals.
- More than **98,800** Satisfied Customers Worldwide.
- Average **99.8%** Success Rate.
- Over **120** Global Certification Vendors Covered.
- Services of **Professional & Certified Experts** available via support.
- Free **90 days** updates to match real exam scenarios.
- **Instant Download Access!** No Setup required.
- Price as low as **\$19**, which is 80% more **cost effective** than others.
- **Verified answers** researched by industry experts.
- Study Material **updated** on regular basis.
- Questions / Answers are downloadable in **PDF** format.
- Mobile Device Supported (**Android, iPhone, iPod, iPad**)
- **No authorization** code required to open exam.
- **Portable** anywhere.
- **Guaranteed Success.**
- **Fast**, helpful support **24x7**.



View list of All certification exams offered;  
<http://www.ipass4sure.com/all exams.asp>

View list of All Study Guides (SG);  
<http://www.ipass4sure.com/study-guides.asp>

View list of All Audio Exams (AE);  
<http://www.ipass4sure.com/audio-exams.asp>

Download Any Certification Exam DEMO.  
<http://www.ipass4sure.com/samples.asp>

To purchase Full version of exam click below;  
<http://www.ipass4sure.com/all exams.asp>

|            |                    |                  |         |                  |              |           |
|------------|--------------------|------------------|---------|------------------|--------------|-----------|
| 3COM       | CompTIA            | Filemaker        | IBM     | LPI              | OMG          | Sun       |
| ADOBE      | ComputerAssociates | Fortinet         | IISFA   | McAfee           | Oracle       | Sybase    |
| APC        | CWNP               | Foundry          | Intel   | McData           | PMI          | Symantec  |
| Apple      | DELL               | Fujitsu          | ISACA   | Microsoft        | Polycom      | TeraData  |
| BEA        | ECCouncil          | GuidanceSoftware | ISC2    | Mile2            | RedHat       | TIA       |
| BICSI      | EMC                | HDI              | ISEB    | NetworkAppliance | Sair         | Tibco     |
| CheckPoint | Enterasys          | Hitachi          | ISM     | Network-General  | SASInstitute | TruSecure |
| Cisco      | ExamExpress        | HP               | Juniper | Nokia            | SCP          | Veritas   |
| Citrix     | Exin               | Huawei           | Legato  | Nortel           | See-Beyond   | Vmware    |
| CIW        | ExtremeNetworks    | Hyperion         | Lotus   | Novell           | Google       |           |

and many others.. See complete list [Here](#)

