

# **Examcollection**

<http://www.ipass4sure.com/examcollection.htm>



<http://www.ipass4sure.com>

# 000-418

## IBM

*InfoSphere DataStage v8.0*

<http://www.ipass4sure.com/exams.asp?examcode=000-418>

The 000-418 practice exam is written and formatted by Certified Senior IT Professionals working in today's prospering companies and data centers all over the world! The 000-418 Practice Test covers all the exam topics and objectives and will prepare you for success quickly and efficiently. The 000-418 exam is very challenging, but with our 000-418 questions and answers practice exam, you can feel confident in obtaining your success on the 000-418 exam on your FIRST TRY!

### IBM 000-418 Exam Features

- Detailed questions and answers for 000-418 exam
- Try a demo before buying any IBM exam
- 000-418 questions and answers, updated regularly
- Verified 000-418 answers by Experts and bear almost 100% accuracy
- 000-418 tested and verified before publishing
- 000-418 examcollection vce questions with exhibits
- 000-418 same questions as real exam with multiple choice options

Acquiring IBM certifications are becoming a huge task in the field of I.T. More over these exams like 000-418 exam are now continuously updating and accepting this challenge is itself a task. This 000-418 test is an important part of IBM certifications. We have the resources to prepare you for this. The 000-418 exam is essential and core part of IBM certifications and once you clear the exam you will be able to solve the real life problems yourself. Want to take advantage of the Real 000-418 Test and save time and money while developing your skills to pass your IBM 000-418 Exam? Let us help you climb that ladder of success and pass your 000-418 now!

# **DEMO EXAM**

For Full Version visit

<http://www.ipass4sure.com/allexams.asp>

**Question: 1**

Your job uses the MQ connector stage to read messages from an MQ queue. The job should retrieve the message ID into the MessageID field and parse the payload into two fields: Name is to get the first ten characters, Description is to get the remaining characters. What will accomplish this?

- A. First column is MessageID as Binary 24; second column is Name as Binary 10; select WSMG.MSPAYLOAD data element; third column is Description as VarBinary 200; select WSMG.MSPAYLOAD data element.
- B. First column is MessageID; select the WSMQ.MSGID data element for the Message ID field; second column is Description as VarBinary 200; third column is Name as Binary 10.
- C. First column is MessageID; select the WSMQ.MSGID data element for the Message ID field; second column is Name; select WSMG.MSPAYLOAD data element; third column is Description; select WSMG.MSPAYLOAD data element.
- D. First column is MessageID; select the WSMQ.MSGID data element for the Message ID field; second column is Name as Binary 10; third column is Description as VarBinary 200.

**Answer: D**

**Question: 2**

Which two methods can be used for adding messages to a message handler? (Choose two.)

- A. Import message handler from existing message handler dsx.
- B. Drag and drop a message from the job log onto the message handler.
- C. Type in the message rule by hand.
- D. Use the add rule to message handler interface.

**Answer: C, D**

**Question: 3**

Which two steps are required to change from a normal lookup to a sparse lookup in an ODBC Enterprise stage? (Choose two.)

- A. Change the lookup option in the stage properties to "Sparse".
- B. Replace columns at the beginning of a SELECT statement with a wildcard asterisk (\*).
- C. Establish a relationship between the key field column in the source stage with the database table field.
- D. Sort the data on the reference link.

**Answer: A, C**

**Question: 4**

What describes the column information specified in Orchestrate schemas? (Choose two.)

- A. C++ data types, such as string[max 145]
- B. Column properties, such as nullability
- C. SQL data types, such as Char(20)
- D. Record format information, such as record delimiter

**Answer: A, B**

**Question: 5**

In which two situations would you use the Web Services Client stage? (Choose two.)

- A. You want to deploy a service.

- B. You need the Web service to act as either a data source or a data target during an operation.
- C. You do not need both input and output links in a single web service operation.
- D. You need to create a WSDL.

**Answer: B, C**

**Question: 6**

Which three statements are true about File Sets? (Choose three.)

- A. File sets are partitioned.
- B. File sets are unpartitioned.
- C. File sets are stored as a single file.
- D. File sets are readable by external applications.
- E. File sets are stored as header file and data files.

**Answer: A, D, E**

**Question: 7**

When tuning a parallel process, it is necessary to measure the amount of system resources that are used by each instance of a stage. Which two methods enable the collection of CPU time used by each instance of a stage? (Choose two.)

- A. Set the environment variable \$APT\_PM\_PLAYER\_TIMING=true.
- B. Invoke vmstat before the job run and after the job completes.
- C. Select the Record job performance data check box from Job Properties.
- D. Set the environment variable \$DS\_MAKE\_JOB\_REPORT=2.

**Answer: A, C**

**Question: 8**

Which three lookup types may be performed in the Lookup stage? (Choose three.)

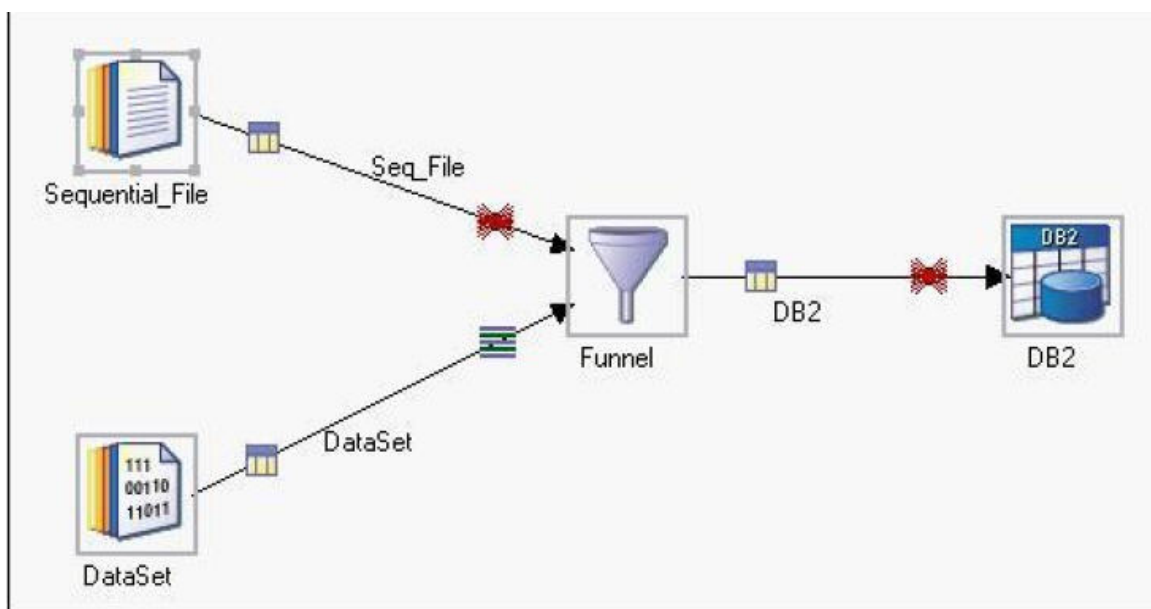
- A. Equality match
- B. Negative match
- C. Range on stream link
- D. Range on the reject link
- E. Range on the reference link

**Answer: A, C, E**

**Question: 9**

Click the Exhibit button.

In the exhibit, a Funnel stage has two Input Links. Input 1(Seq\_File) comes from a sequential file with set "Readers per Node" set to "2" , Input 2(Dataset) comes from a Data Set created in parallel (three-way parallel). Within the Funnel stage, the funnel type is set to "Sequence". The parallel configuration file contains three nodes. How many instances of the Funnel stage run in parallel?



- A. 1
- B. 2
- C. 3
- D. 6

**Answer: C**

**Question: 10**

When invoking a job from a third-party scheduler, it is often desirable to invoke a job and wait for its completion in order to return the job's completion status. Which three commands would invoke a job named "BuildWarehouse" in project DevProject and wait for the job's completion? (Choose three.)

- A. dsjob -run -log DevProject BuildWarehouse
- B. dsjob -run -jobstatus DevProject BuildWarehouse
- C. dsjob -run -userstatus DevProject BuildWarehouse
- D. dsjob -run DevProject BuildWarehouse
- E. dsjob -run -wait DevProject BuildWarehouse

**Answer: B, C, E**

**Question: 11**

You are working on a job in which a sequential file cannot be read in parallel. In an attempt to improve job performance, you first define a single large string column for the non-parallel sequential file read. Which stage may be used to parse the large string in parallel?

- A. The Column Import stage
- B. The Column Export stage
- C. The Make Vector stage
- D. The Split Vector stage

**Answer: A**

**Question: 12**

## Pass4sure Certification Exam Features;

- Pass4sure offers over **2500** Certification exams for professionals.
- More than **98,800** Satisfied Customers Worldwide.
- Average **99.8%** Success Rate.
- Over **120** Global Certification Vendors Covered.
- Services of **Professional & Certified Experts** available via support.
- Free **90 days** updates to match real exam scenarios.
- **Instant Download Access!** No Setup required.
- Price as low as **\$19**, which is 80% more **cost effective** than others.
- **Verified answers** researched by industry experts.
- Study Material **updated** on regular basis.
- Questions / Answers are downloadable in **PDF** format.
- Mobile Device Supported (**Android, iPhone, iPod, iPad**)
- **No authorization** code required to open exam.
- **Portable** anywhere.
- **Guaranteed Success.**
- **Fast**, helpful support **24x7**.



View list of All certification exams offered;  
<http://www.ipass4sure.com/allexams.asp>

View list of All Study Guides (SG);  
<http://www.ipass4sure.com/study-guides.asp>

View list of All Audio Exams (AE);  
<http://www.ipass4sure.com/audio-exams.asp>

Download Any Certification Exam DEMO.  
<http://www.ipass4sure.com/samples.asp>

To purchase Full version of exam click below;  
<http://www.ipass4sure.com/allexams.asp>

3COM	CompTIA	Filemaker	IBM	LPI	OMG	Sun
ADOBE	ComputerAssociates	Fortinet	IISFA	McAfee	Oracle	Sybase
APC	CWNP	Foundry	Intel	McData	PMI	Symantec
Apple	DELL	Fujitsu	ISACA	Microsoft	Polycom	TeraData
BEA	ECCouncil	GuidanceSoftware	ISC2	Mile2	RedHat	TIA
BICSI	EMC	HDI	ISEB	NetworkAppliance	Sair	Tibco
CheckPoint	Enterasys	Hitachi	ISM	Network-General	SASInstitute	TruSecure
Cisco	ExamExpress	HP	Juniper	Nokia	SCP	Veritas
Citrix	Exin	Huawei	Legato	Nortel	See-Beyond	Vmware
CIW	ExtremeNetworks	Hyperion	Lotus	Novell	Google	

and many others.. See complete list [Here](#)

